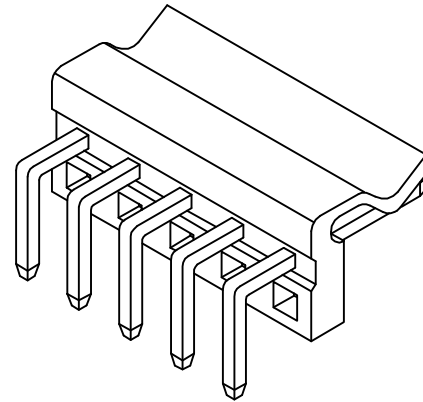
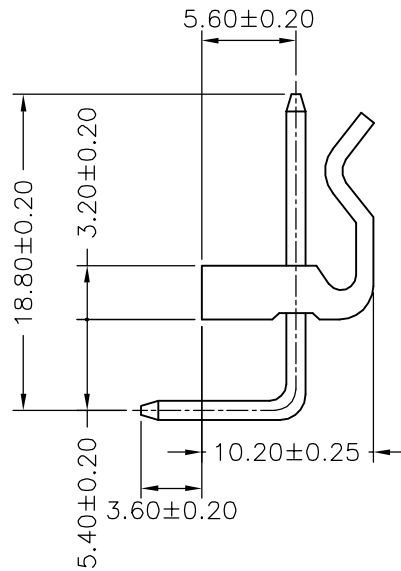
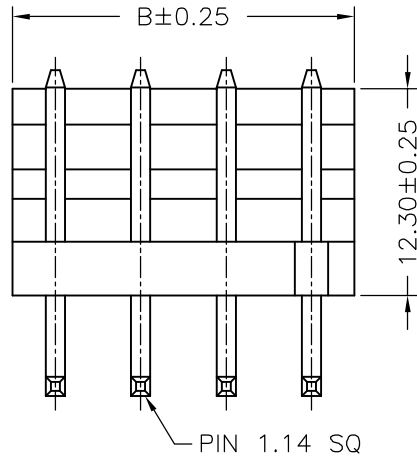


P.C.B LAYOUT



SPECIFICATIONS

Current Rating: 7A AC,DC
 Voltage Rating: 250V AC,DC
 Temperature Range: -25°C ~ +85°C
 Contact Resistance: 10mΩ Max
 Insulation Resistance: 1000MΩ Min
 Withstanding Voltage: 1500V AC/minute
 Pin Material: Brass/Tin-plated
 Material: Nylon 66,UL94V-2
 Color: Natural(Translucent)

Ordering Information & Dimensions

PART NO.	Dimensions	
	A	B
A5081WR-02P	5.08	10.16
A5081WR-03P	10.16	15.24
A5081WR-04P	15.24	20.32
A5081WR-05P	20.32	25.40
A5081WR-06P	25.40	30.48
A5081WR-07P	30.48	35.56
A5081WR-08P	35.56	40.64
A5081WR-09P	40.64	45.72
A5081WR-10P	45.72	50.80
A5081WR-11P	50.80	55.88
A5081WR-12P	55.88	60.96
A5081WR-13P	60.96	66.04
A5081WR-14P	66.04	71.12
A5081WR-15P	71.12	76.20
A5081WR-16P	76.20	81.28
A5081WR-17P	81.28	86.36
A5081WR-18P	86.36	91.44
A5081WR-19P	91.44	96.52
A5081WR-20P	96.52	101.60

				UNIT	SCALE	SHEET	TITLE:	
				mm		1 of 1		5.08mm PITCH 90° WAFER
		DRAWN BY		APPROVED BY		DRAW NO. : A5081WR-XP		
		伍建永		谢瑞清				REV. B1
		2005.04.23		2005.04.23				
		GENERAL TOLERANCE						
B1	REVISE	2007.11.13	X.X±0.25	ANGLE±				
B0	NEW RELEASE	2006.01.08	X.XX±0.15					
REV.	DESCRIPTION	DATE	X.XXX±0.05					