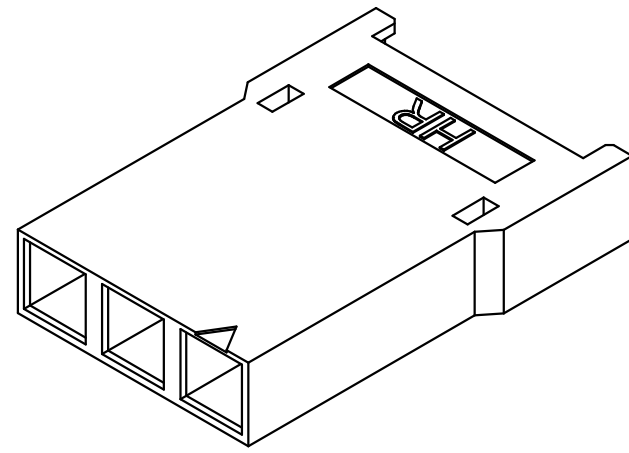


Circuit 1



SPECIFICATIONS
 Current Rating: 1A AC,DC
 Voltage Rating: 600V AC,DC
 Temperature Range: -25°C ~ +85°C
 Contact Resistance: 10mΩ Max
 Insulation Resistance: 1000MΩ Min
 Withstanding Voltage: 1800V AC/minute
 Material: Nylon66,UL94V-0
 Color: Natural(White)

Ordering Information & Dimensions

PART NO.	Dimensions	
	A	B
A4000HM-02P	4.00	9.10
A4000HM-03P	8.00	13.10
A4000HM-04P	12.00	17.10
A4000HM-05P	16.00	21.10

		JOINT TECH ELECTRONIC IND. CO., LTD. JOY DAY INDUSTRIAL CO., LTD.	
UNIT	SCALE	SHEET	TITLE:
mm		1 of 1	4.00mm PITCH HOUSING-PLUG
DRAWN BY	APPROVED BY		
董正一	董正一		
2003.04.15	2003.04.15		
GENERAL TOLERANCE			
	X. X±0.25	ANGLE±	
B0	X. XX±0.15		DRAW NO. :
REV.	X. XXX±0.05		A4000HM-XP
			REV. B0