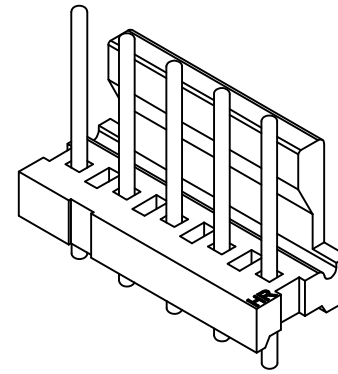
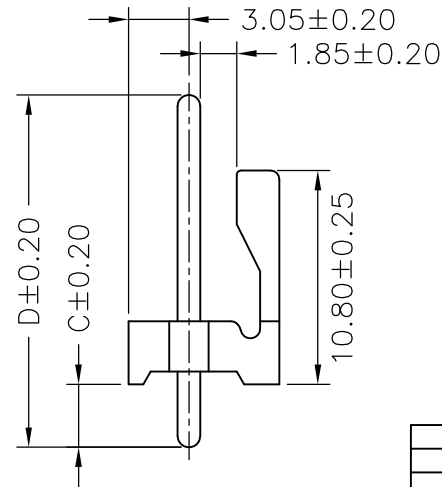
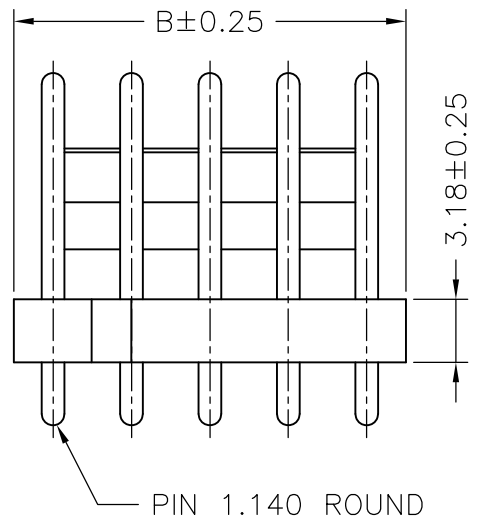


P.C.B LAYOUT



Ordering code



A3963 WV-XP XXX
① ② ③ ④

- ① Series No.
- ② Connector type: WV=Vertical
- ③ No. of circuits
- ④ Option code:
R =Round pin, Dim. C:3.18mm, D:17.80mm
YR1=Round pin, Dim. C:4.45mm, D:19.05mm

SPECIFICATIONS

Current Rating: 7A AC,DC
Voltage Rating: 600V AC,DC
Temperature Range: -25°C ~ +85°C
Contact Resistance: 3mΩ Max.
Insulation Resistance: 5000MΩ Min.
Withstanding Voltage: 2200V AC/minute
Pin Material: Brass/Tin-plated
Material: Nylon 66,UL94V-0
Color: Natural(White)

Circuit No.	Dimensions		Circuit No.	Dimensions	
	A	B		A	B
02P	3.96	7.92	12P	43.56	47.52
03P	7.92	11.88	13P	47.52	51.48
04P	11.88	15.84	14P	51.48	55.44
05P	15.84	19.80	15P	55.44	59.40
06P	19.80	23.76	16P	59.40	63.36
07P	23.76	27.72	17P	63.36	67.32
08P	27.72	31.68	18P	67.32	71.28
09P	31.68	35.64	19P	71.28	75.24
10P	35.64	39.60	20P	75.24	79.20
11P	39.60	43.56			

 燦達電子工業股份有限公司 JOINT TECH ELECTRONIC IND. CO., LTD.					
UNIT	SCALE	SHEET	TITLE:		
mm		1 of 1			
DRAWN BY	APPROVED BY		3.96mm PITCH 180° WAFER, ROUND PIN DRAW NO.: A3963WV-XPR REV. A2		
李勤	董正一				
2005.12.05	2005.12.05				
REV.	DESCRIPTION	DATE			
A2	EN1001190044	2010.01.19	GENERAL TOLERANCE		
A1	REVISE	2006.04.28	X. X±0.25	ANGLE±	
A0	NEW RELEASE	2005.12.05	X. XX±0.15		
REV.	DESCRIPTION	DATE	X. XXX±0.05		