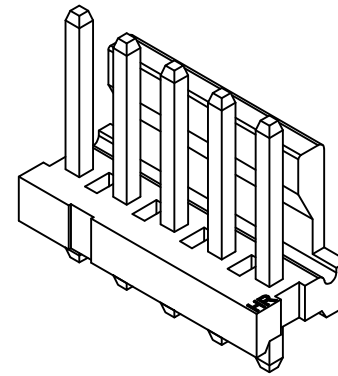
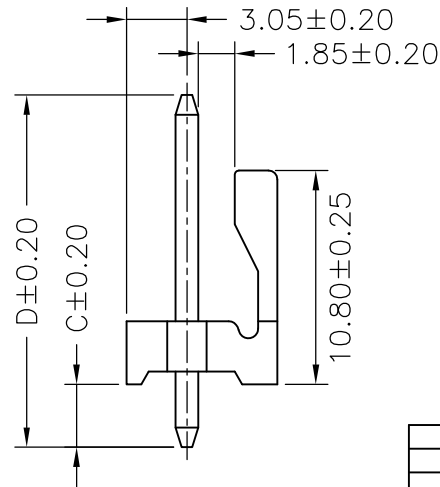
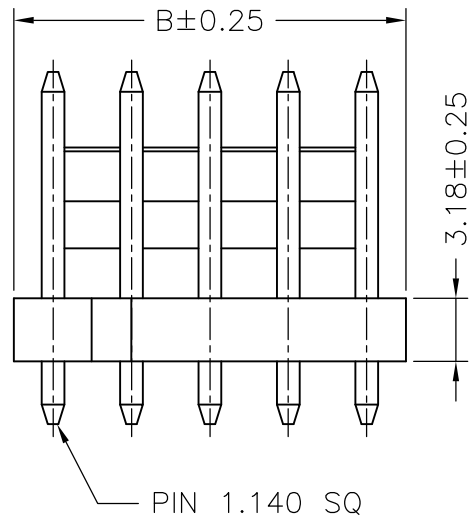


P.C.B LAYOUT



Ordering code



A3963 WV-XP XXX
① ② ③ ④

- ① Series No.
 - ② Connector type: WV=Vertical
 - ③ No. of circuits
 - ④ Option code:
- Blank=Dim. C:3.18mm, D:17.80mm
Y01 =Dim. C:4.45mm, D:19.05mm

SPECIFICATIONS

Current Rating: 7A AC,DC
Voltage Rating: 600V AC,DC
Temperature Range: $-25^{\circ}\text{C} \sim +85^{\circ}\text{C}$
Contact Resistance: $3\text{m}\Omega$ Max.
Insulation Resistance: 500M Ω Min.
Withstanding Voltage: 2200V AC/minute
Pin Material: Brass/Tin-plated
Material: Nylon 66,UL94V-0
Color: Natural(White)

Circuit No.	Dimensions		Circuit No.	Dimensions	
	A	B		A	B
02P	3.96	7.92	12P	43.56	47.52
03P	7.92	11.88	13P	47.52	51.48
04P	11.88	15.84	14P	51.48	55.44
05P	15.84	19.80	15P	55.44	59.40
06P	19.80	23.76	16P	59.40	63.36
07P	23.76	27.72	17P	63.36	67.32
08P	27.72	31.68	18P	67.32	71.28
09P	31.68	35.64	19P	71.28	75.24
10P	35.64	39.60	20P	75.24	79.20
11P	39.60	43.56			

 燦達電子工業股份有限公司 JOINT TECH ELECTRONIC IND. CO., LTD.					
UNIT	SCALE	SHEET	TITLE:		
mm		1 of 1	3.96mm PITCH 180° WAFER		
DRAWN BY		APPROVED BY			
李勤		董正一			
2005.12.05		2005.12.05			
A2	EN1001190044	2010.01.19	GENERAL TOLERANCE		
A1	REVISE	2006.04.28	X. X±0.25	ANGLE±	
A0	NEW RELEASE	2005.12.05	X. XX±0.15		
REV.	DESCRIPTION	DATE	X. XXX±0.05		
			DRAW NO. : A3963WV-XP		REV. A2