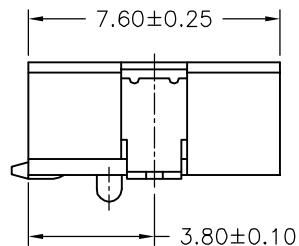
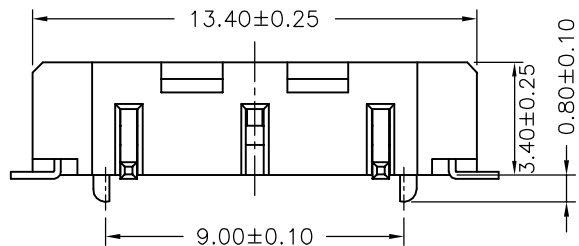
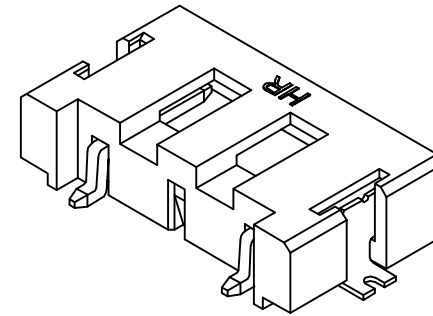


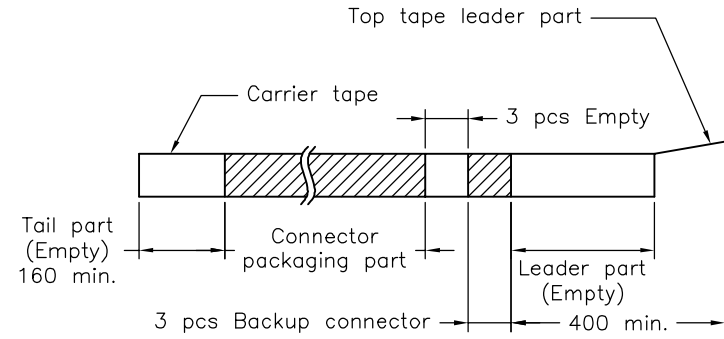
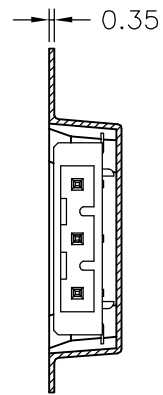
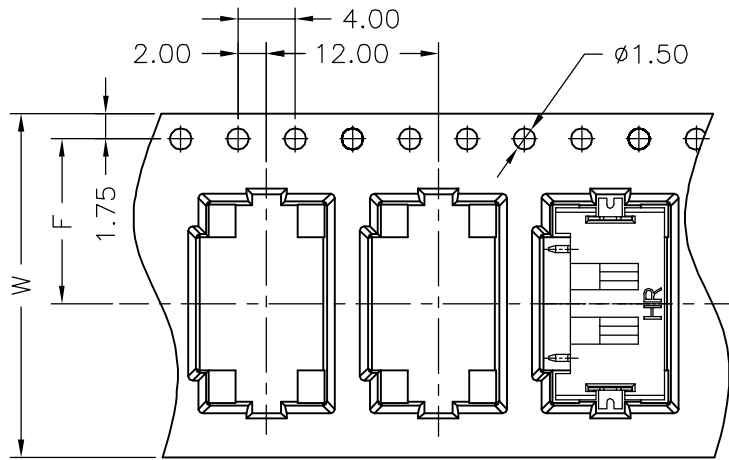
P.C.B LAYOUT



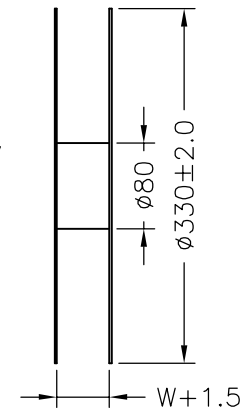
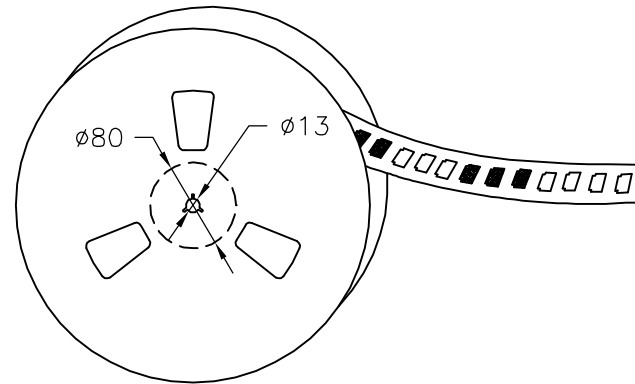
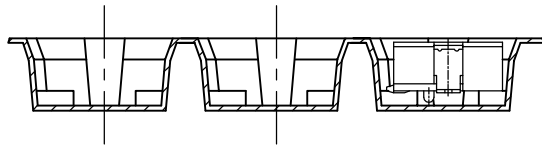
SPECIFICATIONS

Current Rating: 1A AC,DC
 Voltage Rating: 1400V AC,DC
 Temperature Range: $-25^{\circ}\text{C} \sim +85^{\circ}\text{C}$
 Contact Resistance: 20m Ω Max
 Insulation Resistance: 1000M Ω Min
 Withstanding Voltage: 3800V AC/minute
 Pin Material: Brass/Gold-flash
 Solder Tabs: Brass/Gold-flash
 Material: Nylon 6T,UL94V-0
 Color: Natural(Beige)

				JOINT TECH ELECTRONIC IND. CO., LTD. JOY DAY INDUSTRIAL CO., LTD.	
		UNIT	SCALE	SHEET	TITLE:
		mm		1 of 2	P/N: A3800WR-SF-03PDQ2
		DRAWN BY		APPROVED BY	
		歐陽小強		董正一	
		2006.12.11		2006.12.11	
		GENERAL TOLERANCE			
		X. X±0.25	ANGLE±		
A0	NEW RELEASE	2006.12.11	X. XX±0.15	DRAW NO.: A3800WR-SF-03PDQ2	
REV.	DESCRIPTION	DATE	X. XXX±0.05		



Unreeling direction →



Number of Contacts	W±0.3	F±0.1	Q'ty/Reel
03P	24	11.50	1,000

UNIT		SCALE	SHEET		TITLE:
mm			2 of 2		3.80mm PITCH 90° WAFER-SMT TYPE TAPING SPEC.
DRAWN BY		APPROVED BY		DRAW NO. :	
歐陽小強		董正一			
2006.12.11		2006.12.11		A3800WR-SF-03PD02	
GENERAL TOLERANCE					
X. X±0.25		ANGLE±			
X. XX±0.15					
X. XXX±0.05					
AO	NEW RELEASE	2006.12.11			
REV.	DESCRIPTION	DATE			