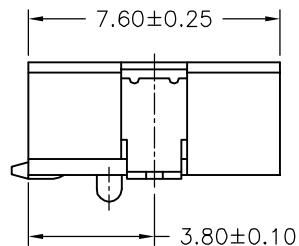
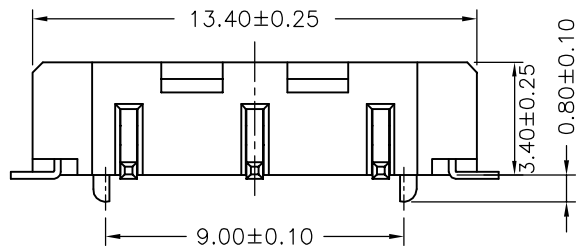
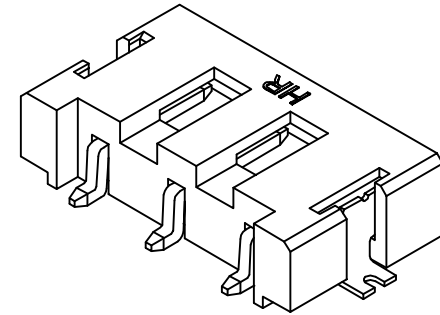


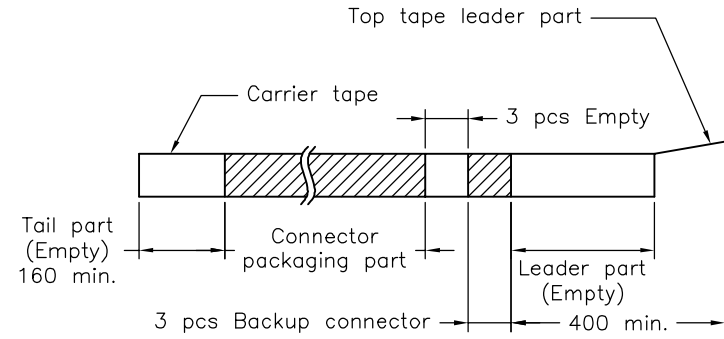
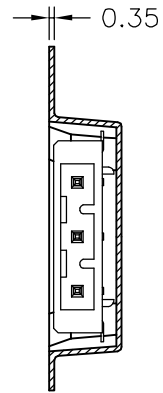
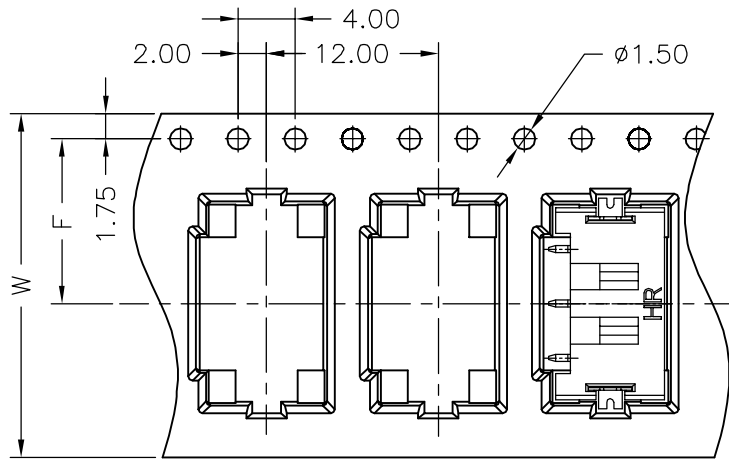
P.C.B LAYOUT



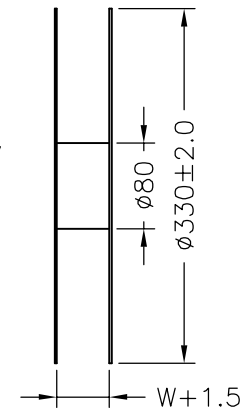
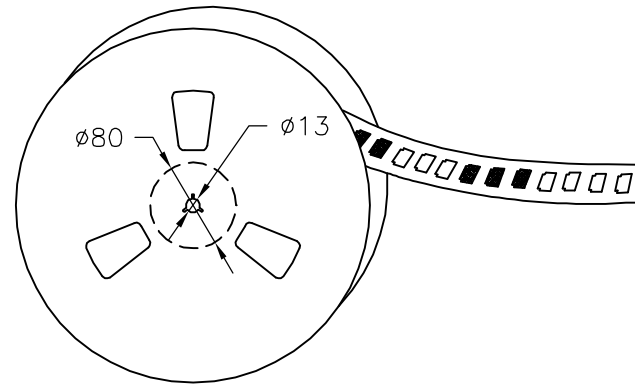
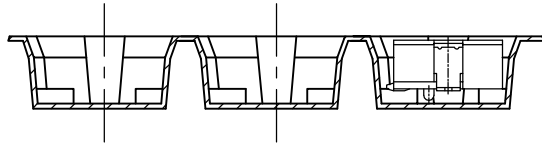
SPECIFICATIONS

Current Rating: 1A AC,DC  
 Voltage Rating: 1400V AC,DC  
 Temperature Range: -25°C ~ +85°C  
 Contact Resistance: 20mΩ Max  
 Insulation Resistance: 1000MΩ Min  
 Withstanding Voltage: 3800V AC/minute  
 Pin Material: Brass/Gold-flash  
 Solder Tabs: Brass/Gold-flash  
 Material: Nylon 6T,UL94V-0  
 Color: Natural(Beige)

		<b>JOINT TECH ELECTRONIC IND. CO., LTD.</b> <b>JOY DAY INDUSTRIAL CO., LTD.</b>	
UNIT	SCALE	SHEET	TITLE:
mm		1 of 2	P/N: A3800WR-SF-03PD01
DRAWN BY		APPROVED BY	
歐陽小強		董正一	
2006.12.11		2006.12.11	
GENERAL TOLERANCE			
X. X±0.25	ANGLE±		DRAW NO.: A3800WR-SF-03PD01
X. XX±0.15			
X. XXX±0.05			
AO	NEW RELEASE	2006.12.11	REV. AO
REV.	DESCRIPTION	DATE	



Unreeling direction →



Number of Contacts	W±0.3	F±0.1	Q'ty/Reel
03P	24	11.50	1,000

UNIT	SCALE	SHEET	TITLE:					
mm		2 of 2	<b>3.80mm PITCH 90° WAFER-SMT TYPE TAPING SPEC.</b>					
DRAWN BY		APPROVED BY				DRAW NO. :		
歐陽小強		董正一				A3800WR-SF-03PD01		
2006.12.11		2006.12.11	REV. A0					
GENERAL TOLERANCE			REV. A0					
X. X±0.25			ANGLE±					
X. XX±0.15			▽					
X. XXX±0.05			⊕					
A0	NEW RELEASE	2006.12.11						
REV.	DESCRIPTION	DATE						