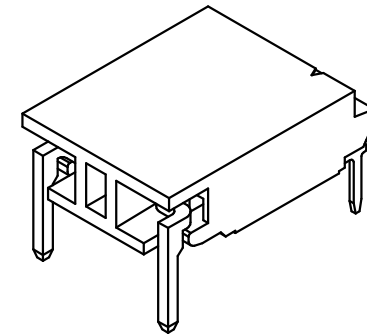

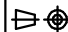


P.C.B LAYOUT



SPECIFICATIONS

Current Rating: 1A AC,DC
 Voltage Rating: 1400V AC,DC
 Temperature Range: -25°C ~ +85°C
 Contact Resistance: 10mΩ Max
 Insulation Resistance: 1000MΩ Min
 Withstanding Voltage: 3800V AC/minute
 Pin Material: Brass/Tin-plated
 Solder Pin: Brass/Tin-plated
 Material: Nylon 6T,UL94V-0
 Color: Natural(Beige)

						JOINT TECH ELECTRONIC IND. CO., LTD. JOY DAY INDUSTRIAL CO., LTD.	
		UNIT	SCALE	SHEET	TITLE:		
		mm		1 of 2	P/N:A3500WR-02P		
		DRAWN BY	APPROVED BY		3.50mm PITCH		
		歐陽小強	董正一		90°WAFER		
		2006.05.19	2006.05.19		ULTRA LOW PROFILE		
		GENERAL TOLERANCE			DRAW NO. : A3500WR-02P		
		X. X±0.25	ANGLE±		REV. A0		
A0	NEW RELEASE	2006.05.19	X. XX±0.15				
REV.	DESCRIPTION	DATE	X. XXX±0.05				