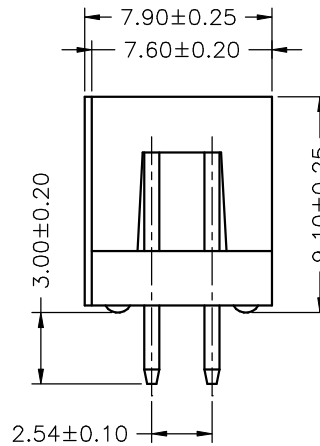
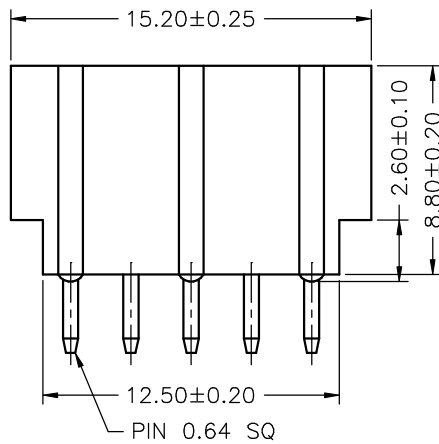
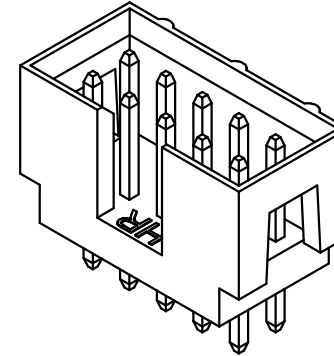

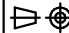


P.C.B LAYOUT



SPECIFICATIONS

Current Rating: 3A AC,DC
 Voltage Rating: 250V AC,DC
 Temperature Range: $-25^{\circ}\text{C} \sim +85^{\circ}\text{C}$
 Contact Resistance: 20m Ω Max
 Insulation Resistance: 1000M Ω Min
 Withstanding Voltage: 1500V AC/minute
 Pin Material: Brass/Gold-flash
 Material: PBT15%GF,UL94V-0
 Color: Natural(Black)

					JOINT TECH ELECTRONIC IND. CO., LTD.	
			JOY DAY INDUSTRIAL CO., LTD.			
			UNIT	SCALE	SHEET	TITLE:
			mm		1 of 1	P/N:A2548WVA-2X05P 2.54mm PITCH 180° BOX HEADER
			DRAWN BY	APPROVED BY		
			李勤 2006.04.21	董正一 2006.04.21		
			GENERAL TOLERANCE			
			X.X±0.25	ANGLE±		
AO	NEW RELEASE	2006.04.21	X.XX±0.15			DRAW NO. :
REV.	DESCRIPTION	DATE	X.XXX±0.05			A2548WVA-2X05P
						REV. A0