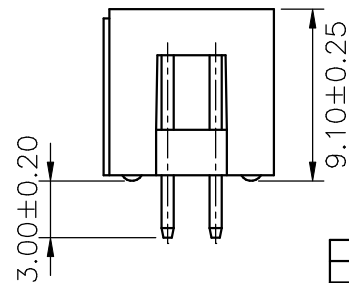
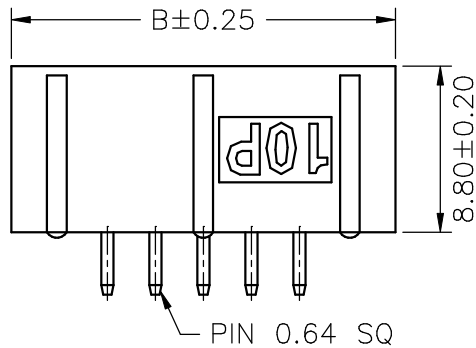
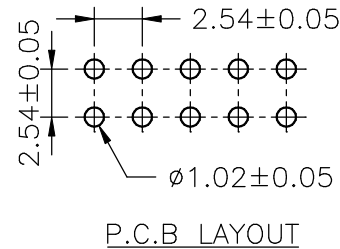
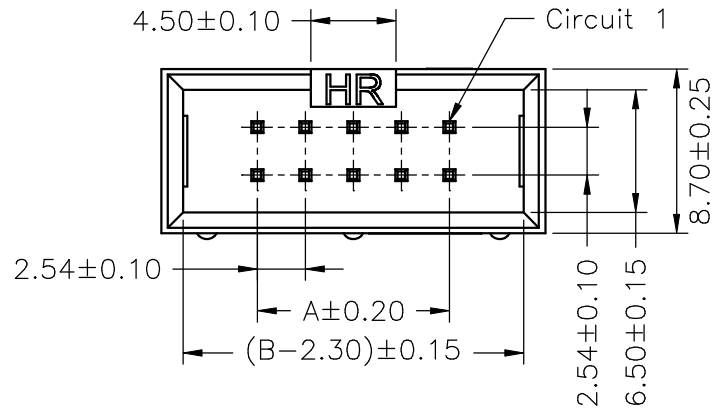


SPECIFICATIONS

Current Rating: 3A AC,DC
 Voltage Rating: 250V AC,DC
 Temperature Range: -25°C ~ +85°C
 Contact Resistance: 20mΩ Max
 Insulation Resistance: 1000MΩ Min
 Withstanding Voltage: 1500V AC/minute
 Pin Material: Brass/Gold-flash
 Material: PBT15%GF,UL94V-0
 Color: Natural(Black)

Ordering Information & Dimensions

PART NO.	Dimensions	
	A	B
A2548WV-2X03P	5.08	15.24
A2548WV-2X04P	7.62	17.78
A2548WV-2X05P	10.16	20.32
A2548WV-2X06P	12.70	22.86
A2548WV-2X07P	15.24	25.40
A2548WV-2X08P	17.78	27.94
A2548WV-2X10P	22.86	33.02
A2548WV-2X12P	27.94	38.10
A2548WV-2X13P	30.48	40.64
A2548WV-2X15P	35.56	45.72
A2548WV-2X17P	40.64	50.80
A2548WV-2X20P	48.26	58.42
A2548WV-2X22P	53.34	63.50
A2548WV-2X24P	58.42	68.58
A2548WV-2X25P	60.96	71.12
A2548WV-2X30P	73.66	83.82
A2548WV-2X32P	78.74	88.90



		UNIT	SCALE	SHEET	TITLE:		
		mm		1 of 1	2.54mm PITCH 180° BOX HEADER		
		DRAWN BY 伍建永 2005.04.23		APPROVED BY 謝瑞清 2005.04.23			
		GENERAL TOLERANCE					
B1	REVISE	2006.04.21	X.X±0.25	ANGLE±			
B0	NEW RELEASE	2006.03.21	X.XX±0.15				
REV.	DESCRIPTION	DATE	X.XXX±0.05				
		DRAW NO. : A2548WV-2XNP				REV. B1	