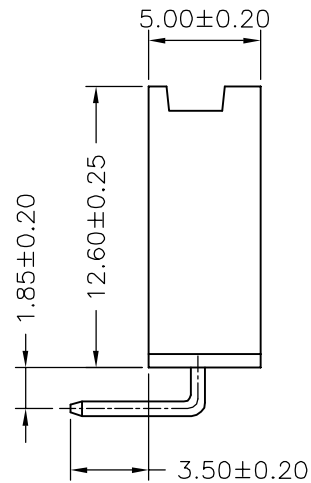
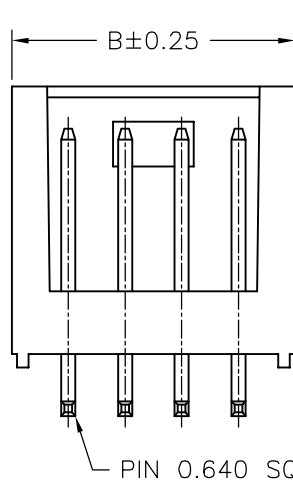


P.C.B. LAYOUT



SPECIFICATIONS

Current Rating: 3A AC,DC
 Voltage Rating: 250V AC,DC
 Temperature Range: -25°C ~ +85°C
 Contact Resistance: 20mΩ Max
 Insulation Resistance: 1000MΩ Min
 Withstanding Voltage: 1000V AC/minute
 Pin Material: Brass/Tin-plated
 Material: PBT,UL94V-0
 Color: Natural(Black)

Ordering Information & Dimensions

PART NO.	Dimensions		
	A	B	C
A2543WR-02P	2.54	7.62	6.22
A2543WR-04P	7.62	12.70	11.30
A2543WR-05P	10.16	15.24	13.84
A2543WR-06P	12.70	17.78	16.38
A2543WR-08P	17.78	22.86	21.46
A2543WR-10P	22.86	27.94	26.54

				JOINT TECH ELECTRONIC IND. CO., LTD. JOY DAY INDUSTRIAL CO., LTD.	
		UNIT	SCALE	SHEET	TITLE:
		mm		1 of 1	
		DRAWN BY	APPROVED BY		
B4	ECN NO. EN0910060471	2009.10.06	董正一	董正一	
B3	REVISE	2008.09.11	2002.04.24	2002.04.24	
B2	REVISE	2008.01.11	GENERAL TOLERANCE		
B1	REVISE	2005.12.20	X. X±0.25	ANGLE±	
B0	NEW RELEASE	2005.12.10	X. XX±0.15		
REV.	DESCRIPTION	DATE	X. XXX±0.05		
				2.54mm PITCH 90° WAFER	
				DRAW NO. :	REV.
				A2543WR-XP	B4