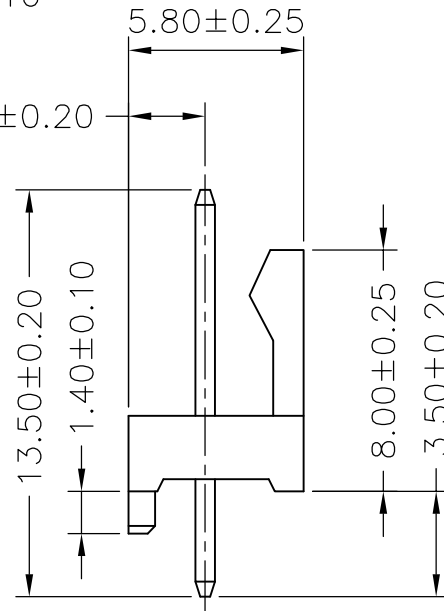
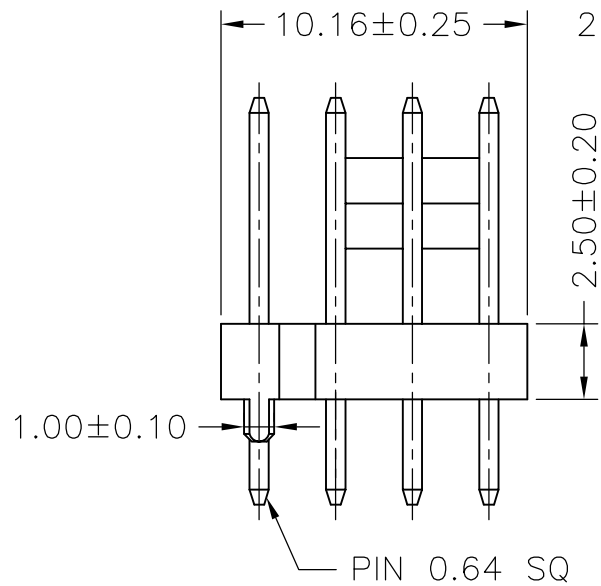


P.C.B LAYOUT



SPECIFICATIONS
 Current Rating: 4A AC,DC
 Voltage Rating: 250V AC,DC
 Temperature Range: -25°C ~ +85°C
 Contact Resistance: 10mΩ Max
 Insulation Resistance: 1000MΩ Min
 Withstanding Voltage: 1000V AC/minute
 Pin Material: Brass/Tin-plated
 Material: Nylon 66,UL94V-0
 Color: Natural(White)

				JOINT TECH ELECTRONIC IND. CO., LTD. JOY DAY INDUSTRIAL CO., LTD.	
UNIT	SCALE	SHEET	TITLE:		
mm		1 of 1	P/N: A2542WVC-F1-04P 2.54mm PITCH 180° WAFER		
DRAWN BY 李勤 2006.05.09		APPROVED BY 董正一 2006.05.09			
GENERAL TOLERANCE					
A1	REVISE	2006.05.26	X. X±0.25	ANGLE±	
A0	NEW RELEASE	2006.05.09	X. XX±0.15	DRAW NO.: A2542WVC-F1-04P	
REV.	DESCRIPTION	DATE	X. XXX±0.05		