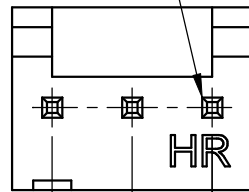
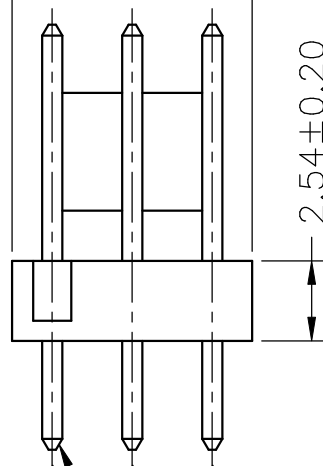


Circuit 1



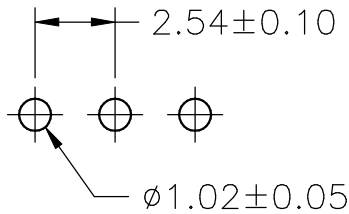
2.54 ± 0.10
 $A \pm 0.20$

$B \pm 0.25$

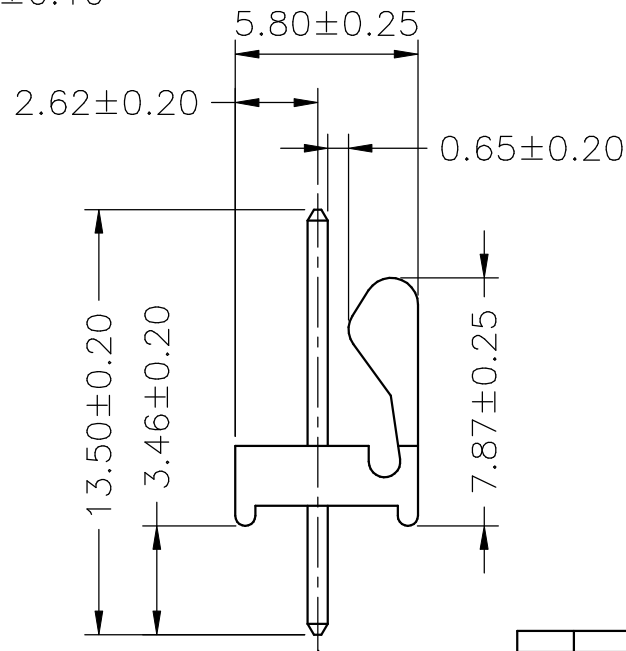


2.54 ± 0.20

PIN 0.64 SQ



P.C.B LAYOUT



5.80 ± 0.25

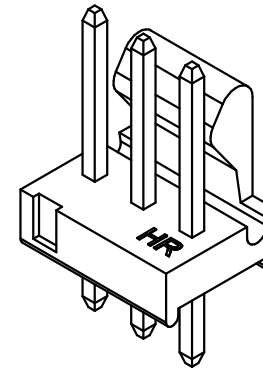
2.62 ± 0.20

0.65 ± 0.20

13.50 ± 0.20

3.46 ± 0.20

7.87 ± 0.25




SPECIFICATIONS

Current Rating: 4A AC,DC
 Voltage Rating: 250V AC,DC
 Temperature Range: $-25^{\circ}\text{C} \sim +85^{\circ}\text{C}$
 Contact Resistance: 10m Ω Max
 Insulation Resistance: 1000M Ω Min
 Withstanding Voltage: 1000V AC/minute
 Pin Material: Brass/Tin-plated
 Material: Nylon 66,UL94V-0
 Color: Natural(White)

Ordering Information & Dimensions

PART NO.	Dimensions	
	A	B
A2542WVB-02P	2.54	5.08
A2542WVB-03P	5.08	7.62

		 JOINT TECH ELECTRONIC IND. CO., LTD. JOY DAY INDUSTRIAL CO., LTD.	
UNIT	SCALE	SHEET	TITLE:
mm		1 of 1	2.54mm PITCH 180° WAFER
DRAWN BY 李勤 2006.05.09	APPROVED BY 董正一 2006.05.09		
GENERAL TOLERANCE			
A0	NEW RELEASE	2006.05.09	DRAW NO. : A2542WVB-XP
REV.	DESCRIPTION	DATE	
		X. X \pm 0.25 X. XX \pm 0.15 X. XXX \pm 0.05	REV. A0