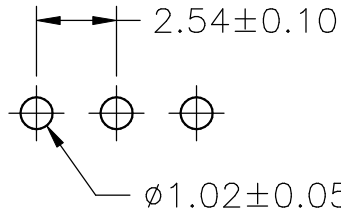
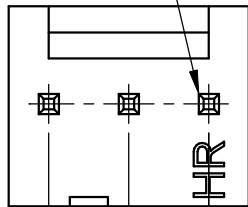
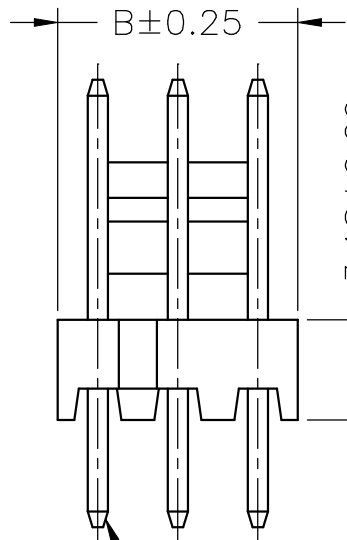
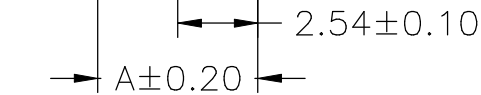
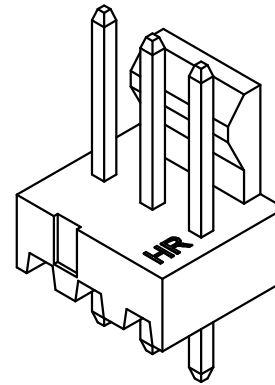


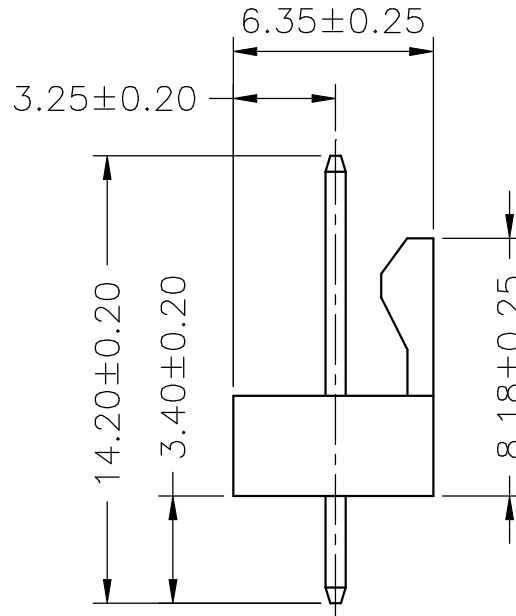
Circuit 1



P.C.B LAYOUT



PIN 0.64 SQ



SPECIFICATIONS

Current Rating: 4A AC,DC  
 Voltage Rating: 250V AC,DC  
 Temperature Range: -25°C ~ +85°C  
 Contact Resistance: 10mΩ Max  
 Insulation Resistance: 1000MΩ Min  
 Withstanding Voltage: 1000V AC/minute  
 Pin Material: Brass/Tin-plated  
 Material: Nylon 66,UL94V-2  
 Pantone Color: 1685C

Ordering Information & Dimensions

PART NO.	Dimensions	
	A	B
A2542WVA-02P	2.54	5.08
A2542WVA-03P	5.08	7.62
A2542WVA-04P	7.62	10.16
A2542WVA-05P	10.16	12.70
A2542WVA-06P	12.70	15.24
A2542WVA-07P	15.24	17.78
A2542WVA-08P	17.78	20.32
A2542WVA-09P	20.32	22.86
A2542WVA-10P	22.86	25.40
A2542WVA-11P	25.40	27.94
A2542WVA-12P	27.94	30.48
A2542WVA-13P	30.48	33.02
A2542WVA-14P	33.02	35.56
A2542WVA-15P	35.56	38.10
A2542WVA-16P	38.10	40.64
A2542WVA-17P	40.64	43.18
A2542WVA-18P	43.18	45.72
A2542WVA-19P	45.72	48.26
A2542WVA-20P	48.26	50.80

UNIT	SCALE	SHEET	TITLE:
mm		1 of 1	
DRAWN BY	APPROVED BY	2.54mm PITCH 180° WAFER	
董正一 2001.02.01	董正一 2001.02.01		
GENERAL TOLERANCE			
	X. X±0.25	ANGLE±	
B0	X. XX±0.15	DRAW NO. : A2542WVA-XP	
REV.	X. XXX±0.05		