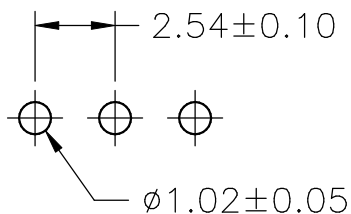
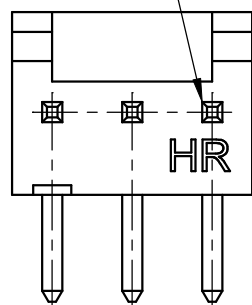
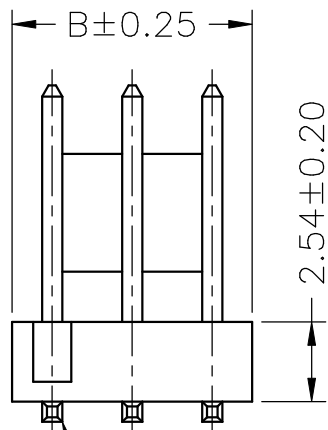
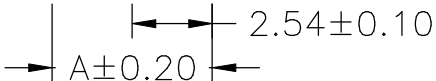
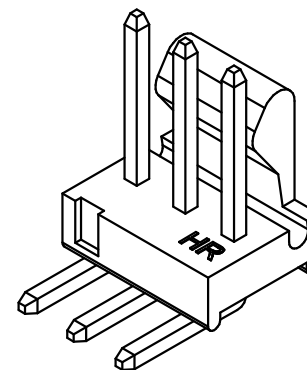


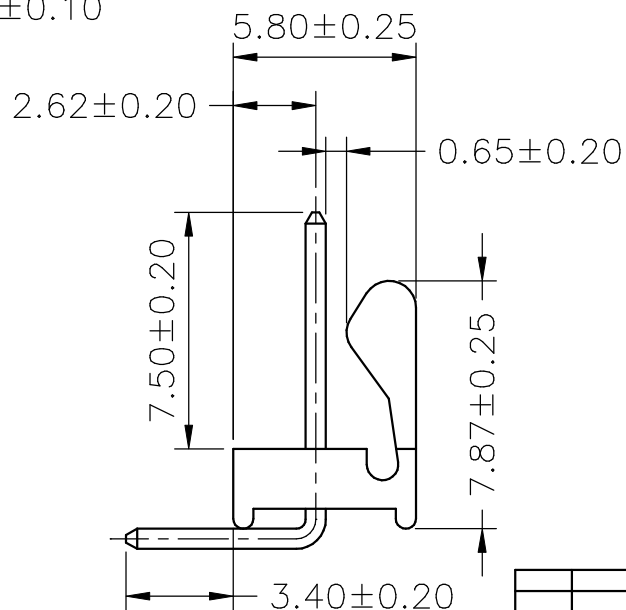
Circuit 1



P.C.B LAYOUT



PIN 0.64 SQ



SPECIFICATIONS

Current Rating: 4A AC,DC
 Voltage Rating: 250V AC,DC
 Temperature Range: -25°C ~ +85°C
 Contact Resistance: 10mΩ Max
 Insulation Resistance: 1000MΩ Min
 Withstanding Voltage: 1000V AC/minute
 Pin Material: Brass/Tin-plated
 Material: Nylon 66,UL94V-0
 Color: Natural(White)

Ordering Information & Dimensions

PART NO.	Dimensions	
	A	B
A2542WRB-02P	2.54	5.08
A2542WRB-03P	5.08	7.62

			JOINT TECH ELECTRONIC IND. CO., LTD. JOY DAY INDUSTRIAL CO., LTD.	
UNIT	SCALE	SHEET	TITLE:	
mm		1 of 1	2.54mm PITCH 90° WAFER	
DRAWN BY 李勤 2006.05.09		APPROVED BY 董正一 2006.05.09		
GENERAL TOLERANCE			REV. A0	
A0	NEW RELEASE	2006.05.09	X. X±0.25	ANGLE±
REV.	DESCRIPTION	DATE	X. XX±0.15	
			X. XXX±0.05	