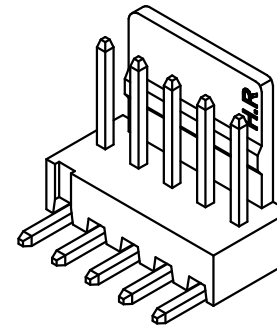


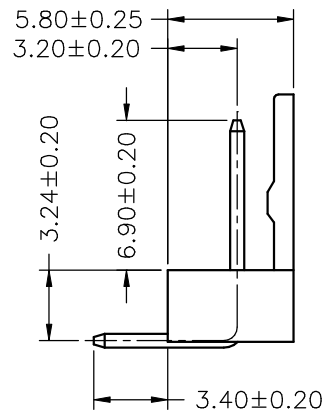
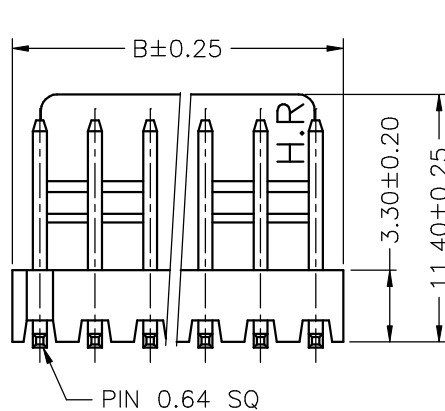
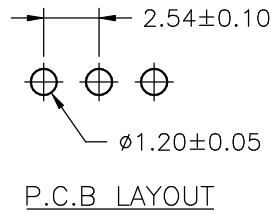
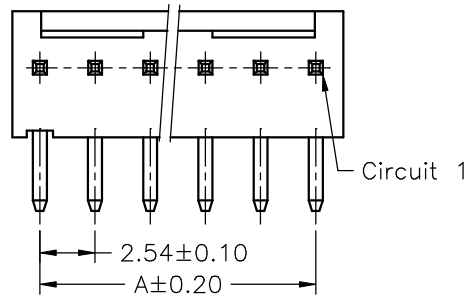
**SPECIFICATIONS**

Current Rating: 4A AC,DC  
 Voltage Rating: 250V AC,DC  
 Temperature Range: -25°C ~ +85°C  
 Contact Resistance: 10mΩ Max  
 Insulation Resistance: 1000MΩ Min  
 Withstanding Voltage: 1000V AC/minute  
 Pin Material: Brass/Tin-plated  
 Material: Nylon 66,UL94V-2  
 Pantone Color: 7506C



**Ordering Information & Dimensions**

PART NO.	Dimensions	
	A	B
A2542WR-02PB	2.54	5.08
A2542WR-03PB	5.08	7.62
A2542WR-04PB	7.62	10.16
A2542WR-05PB	10.16	12.70
A2542WR-06PB	12.70	15.24
A2542WR-07PB	15.24	17.78
A2542WR-08PB	17.78	20.32
A2542WR-09PB	20.32	22.86
A2542WR-10PB	22.86	25.40
A2542WR-11PB	25.40	27.94
A2542WR-12PB	27.94	30.48
A2542WR-13PB	30.48	33.02
A2542WR-14PB	33.02	35.56
A2542WR-15PB	35.56	38.10
A2542WR-16PB	38.10	40.64
A2542WR-17PB	40.64	43.18
A2542WR-18PB	43.18	45.72
A2542WR-19PB	45.72	48.26
A2542WR-20PB	48.26	50.80



TYPE B

UNIT	SCALE	SHEET	TITLE:			
mm		1 of 1	2.54mm PITCH 90° WAFER			
DRAWN BY		APPROVED BY			DRAW NO. : A2542WR-XPB	
李勤 2006.04.12		董正一 2006.04.12				
GENERAL TOLERANCE						
A0	NEW RELEASE	2006.04.12	X. X±0.25	ANGLE±		
REV.	DESCRIPTION	DATE	X. XX±0.15			
			X. XXX±0.05			