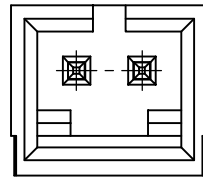
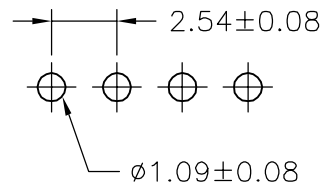
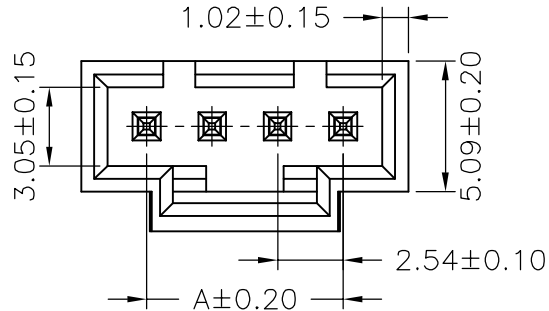
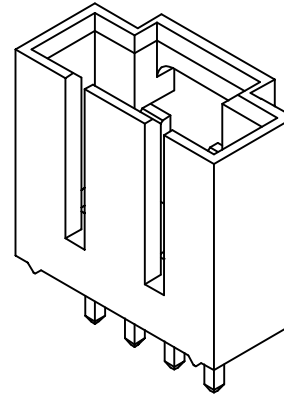


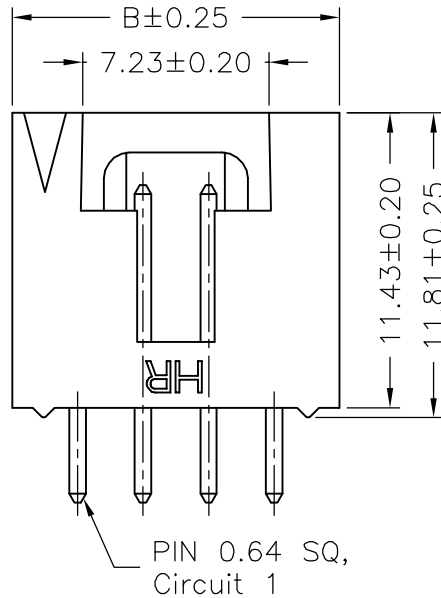
3P



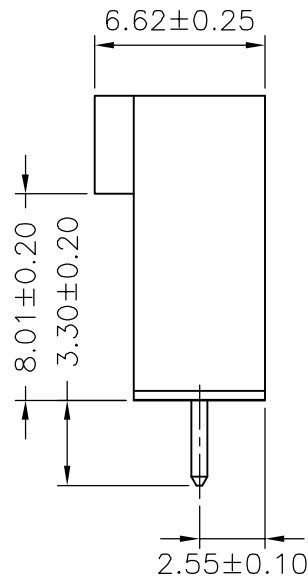
2P



P.C.B LAYOUT



PIN 0.64 SQ,  
Circuit 1



SPECIFICATIONS

Current Rating: 3A AC,DC  
 Voltage Rating: 250V AC,DC  
 Temperature Range: -25°C ~ +85°C  
 Contact Resistance: 20mΩ Max  
 Insulation Resistance: 1000MΩ Min  
 Withstanding Voltage: 1500V AC/minute  
 Pin Material: Brass/Gold-flash  
 Material: PBT30%GF,UL94V-0  
 Color: Natural(Black)

Ordering Information & Dimensions

PART NO.	Dimensions	
	A	B
A2541WV-02P	2.54	7.63
A2541WV-03P	5.08	10.17
A2541WV-04P	7.62	12.71
A2541WV-05P	10.16	15.25
A2541WV-06P	12.70	17.79
A2541WV-07P	15.24	20.33
A2541WV-08P	17.78	22.87
A2541WV-09P	20.32	25.41
A2541WV-10P	22.86	27.95
A2541WV-11P	25.40	30.49
A2541WV-12P	27.94	33.03

				UNIT		SCALE	SHEET	TITLE:
				mm		1 of 1		
		DRAWN BY		APPROVED BY		2.54mm PITCH 180° WAFER		
		董正一		董正一				
		2001.02.01		2001.02.01		GENERAL TOLERANCE X. X±0.25 X. XX±0.15 X. XXX±0.05		
BO	NEW RELEASE	2006.04.10			ANGLE±		DRAW NO.: A2541WV-XP REV. BO	
REV.	DESCRIPTION	DATE						