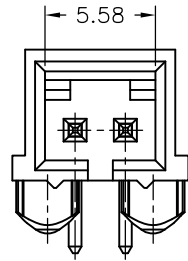
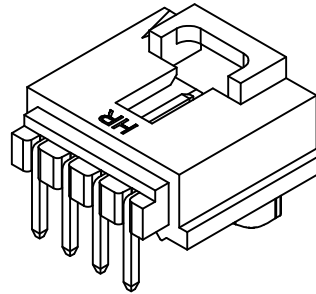


03P



02P



Ordering code

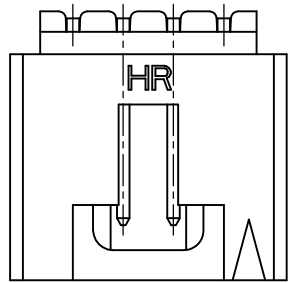
A2541 WR-F-XP XXX
 ① ② ③ ④ ⑤

- ① Series No.
- ② Connector type: WR=Right angle
- ③ Mounting type: F=DIP with boss
- ④ No. of circuits
- ⑤ Option code:
 Blank=PBT
 6T=Nylon 6T

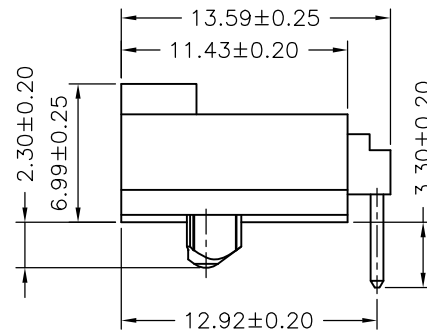
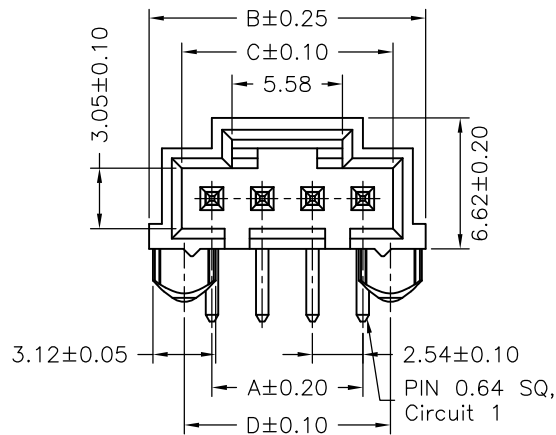
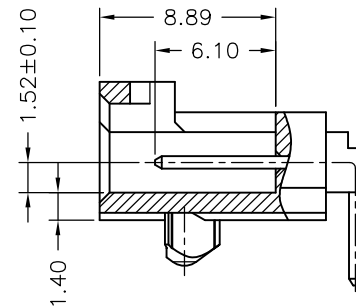
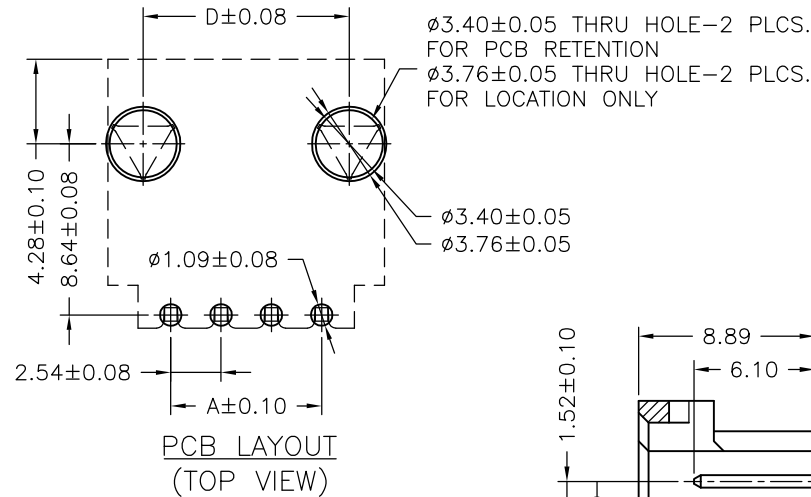
SPECIFICATIONS

Current Rating: 3A AC,DC
 Voltage Rating: 250V AC,DC
 Temperature Range: -25°C ~ +85°C
 Contact Resistance: 20mΩ Max.
 Insulation Resistance: 1000MΩ Min.
 Withstanding Voltage: 1500V AC/minute
 Pin Material: Brass/Gold-flash
 Material: PBT or Nylon 6T,UL94V-0
 Color: Natural(Black)

Circuit No.	Dimensions			
	A	B	C	D
02P	2.54	8.89	---	5.33
03P	5.08	11.43	8.12	7.87
04P	7.62	13.97	10.66	10.41
05P	10.16	16.51	13.20	12.95
06P	12.70	19.05	15.74	15.49
07P	15.24	21.59	18.28	18.03
08P	17.78	24.13	20.82	20.57
09P	20.32	26.67	23.36	23.11
10P	22.86	29.21	25.90	25.65
11P	25.40	31.75	28.44	28.19
12P	27.94	34.29	30.98	30.73



(TOP VIEW)



				UNIT	SCALE	SHEET	TITLE:
				mm		1 of 1	
B4	REVISE	2010.01.07	DRAWN BY	董正一	APPROVED BY	董正一	2.54mm PITCH 90° WAFER
B3	REVISE	2007.07.18	2004.12.28	2004.12.28			
B2	REVISE	2006.12.19	GENERAL TOLERANCE				
B1	REVISE	2006.09.25	X.X±0.25	ANGLE±			
B0	NEW RELEASE	2006.04.10	X.XX±0.15				
REV.	DESCRIPTION	DATE	X.XXX±0.05				DRAW NO.: A2541WR-F-XP REV. B4