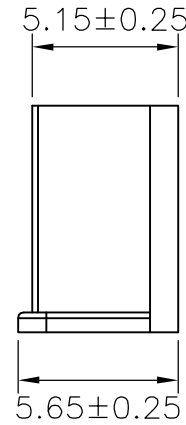
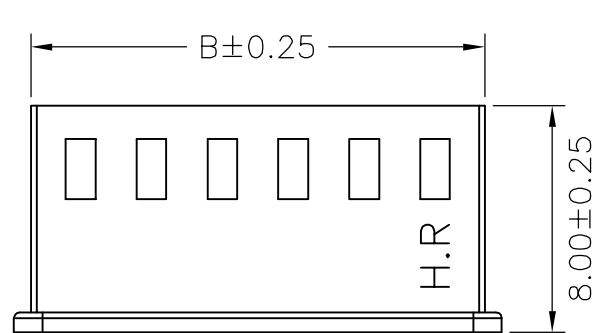
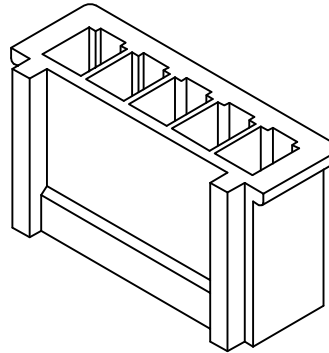
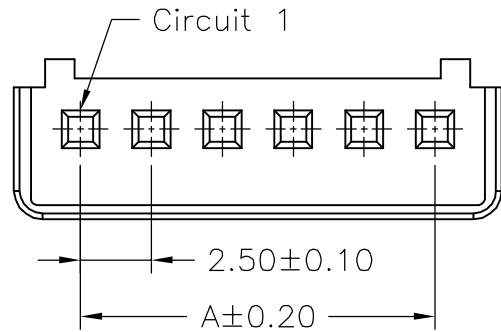


SPECIFICATIONS

Current Rating: 3A AC,DC
 Voltage Rating: 250V AC,DC
 Temperature Range: -25°C ~ +85°C
 Contact Resistance: 10mΩ Max
 Insulation Resistance: 1000MΩ Min
 Withstanding Voltage: 800V AC/minute
 Material: Nylon 66,UL94V-2
 Pantone Color: 7501C



Ordering Information & Dimensions

PART NO.	Dimensions	
	A	B
A2503H-02P	2.50	6.00
A2503H-03P	5.00	8.50
A2503H-04P	7.50	11.00
A2503H-05P	10.00	13.50
A2503H-06P	12.50	16.00
A2503H-07P	15.00	18.50
A2503H-08P	17.50	21.00
A2503H-09P	20.00	23.50
A2503H-10P	22.50	26.00
A2503H-11P	25.00	28.50
A2503H-12P	27.50	31.00
A2503H-13P	30.00	33.50
A2503H-14P	32.50	36.00
A2503H-15P	35.00	38.50
A2503H-16P	37.50	41.00
A2503H-17P	40.00	43.50
A2503H-18P	42.50	46.00
A2503H-19P	45.00	48.50
A2503H-20P	47.50	51.00

UNIT	SCALE	SHEET	TITLE:
mm		1 of 1	2.50mm PITCH HOUSING
DRAWN BY 董正一 2001.02.01		APPROVED BY 董正一 2001.02.01	
GENERAL TOLERANCE			
B1	REVISE	2007.03.18	X. X±0.25
B0	NEW RELEASE	2005.12.10	X. XX±0.15
REV.	DESCRIPTION	DATE	X. XXX±0.05
			DRAW NO.: A2503H-XP
			REV. B1