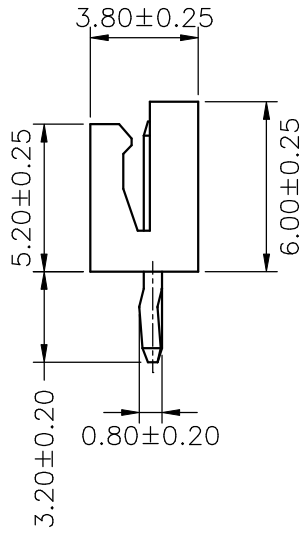
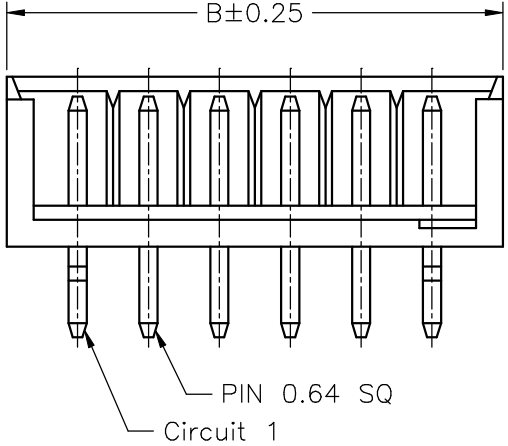
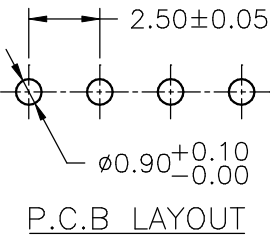
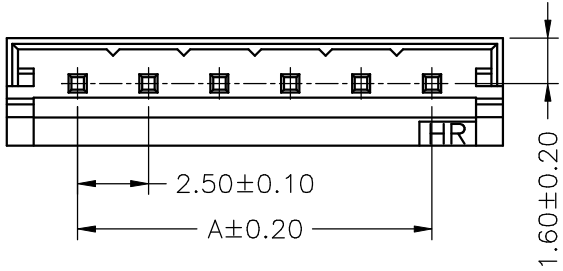


SPECIFICATIONS
 Current Rating: 3A AC,DC
 Voltage Rating: 250V AC,DC
 Temperature Range: -25°C ~ +85°C
 Contact Resistance: 10mΩ Max
 Insulation Resistance: 1000MΩ Min
 Withstanding Voltage: 800V AC/minute
 Pin Material: Brass/Tin-plated
 Material: Nylon 66,UL94V-0
 Color: Natural(White)

Ordering Information & Dimensions

PART NO.	Dimensions	
	A	B
A2502WV-02P	2.50	7.50
A2502WV-03P	5.00	10.00
A2502WV-04P	7.50	12.50
A2502WV-05P	10.00	15.00
A2502WV-06P	12.50	17.50
A2502WV-07P	15.00	20.00
A2502WV-08P	17.50	22.50
A2502WV-09P	20.00	25.00
A2502WV-10P	22.50	27.50
A2502WV-11P	25.00	30.00
A2502WV-12P	27.50	32.50
A2502WV-13P	30.00	35.00
A2502WV-14P	32.50	37.50
A2502WV-15P	35.00	40.00



					JOINT TECH ELECTRONIC IND. CO., LTD. JOY DAY INDUSTRIAL CO., LTD.	
			UNIT	SCALE	SHEET	TITLE:
			mm		1 of 1	2.50mm PITCH 180° WAFER
			DRAWN BY	APPROVED BY		
			董正一	董正一		
			2001.02.01	2001.02.01		
			GENERAL TOLERANCE			
			X. X±0.25	ANGLE±		DRAW NO. : A2502WV-XP
B0	NEW RELEASE	2006.05.14	X. XX±0.15			
REV.	DESCRIPTION	DATE	X. XXX±0.05			