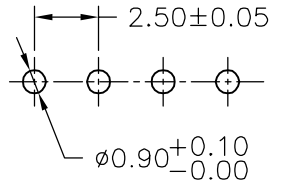
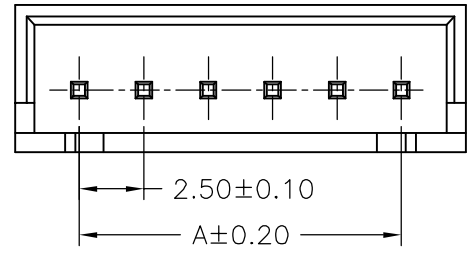
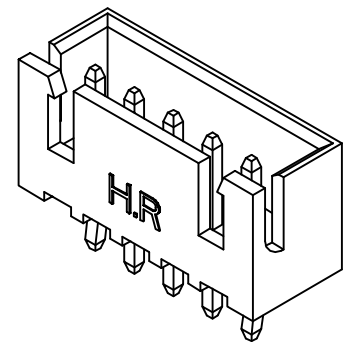
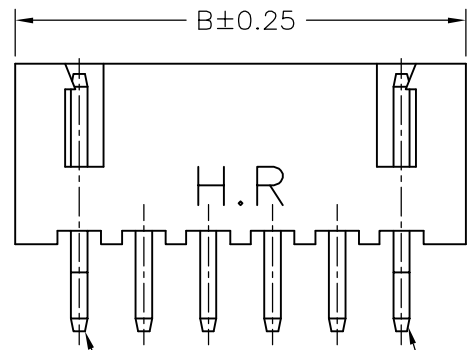


02P

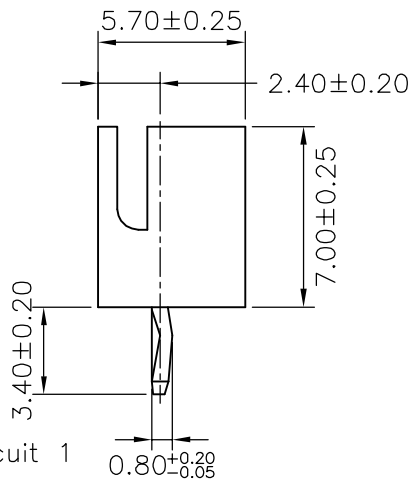


P.C.B LAYOUT



PIN 0.640 SQ

Circuit 1



TYPE 1

**SPECIFICATIONS**  
 Current Rating: 3A AC,DC  
 Voltage Rating: 250V AC,DC  
 Temperature Range: -25°C ~ +85°C  
 Contact Resistance: 10mΩ Max  
 Insulation Resistance: 1000MΩ Min  
 Withstanding Voltage: 1000V AC/minute  
 Pin Material: Brass/Tin-plated  
 Material: Nylon 66,UL94V-0  
 Color: Natural(White)

Ordering Information & Dimensions

PART NO.	Dimensions	
	A	B
A2501WV-02P1	2.50	7.50
A2501WV-03P1	5.00	10.00
A2501WV-04P1	7.50	12.50
A2501WV-05P1	10.00	15.00
A2501WV-06P1	12.50	17.50
A2501WV-07P1	15.00	20.00
A2501WV-08P1	17.50	22.50
A2501WV-09P1	20.00	25.00
A2501WV-10P1	22.50	27.50
A2501WV-11P1	25.00	30.00
A2501WV-12P1	27.50	32.50
A2501WV-13P1	30.00	35.00
A2501WV-14P1	32.50	37.50
A2501WV-15P1	35.00	40.00
A2501WV-16P1	37.50	42.50
A2501WV-17P1	40.00	45.00
A2501WV-18P1	42.50	47.50
A2501WV-19P1	45.00	50.00
A2501WV-20P1	47.50	52.50

		JOINT TECH ELECTRONIC IND. CO., LTD. JOY DAY INDUSTRIAL CO., LTD.	
UNIT	SCALE		
mm		1 of 1	2.50mm PITCH 180° WAFER
DRAWN BY	APPROVED BY		
李勤	董正一		
2006.05.17	2006.05.17		
A2	REVISE	2008.01.09	GENERAL TOLERANCE
A1	REVISE	2007.03.07	X.X±0.25 ANGLE±
A0	NEW RELEASE	2006.05.17	X.XX±0.15
REV.	DESCRIPTION	DATE	X.XXX±0.05
			DRAW NO. : A2501WV-XP1
			REV. A2