

SPECIFICATIONS

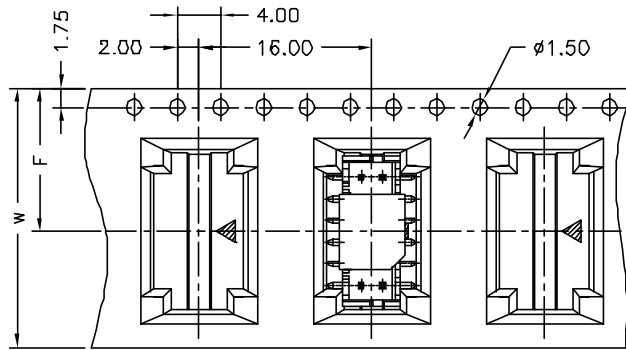
Current Rating: 2A AC,DC
 Voltage Rating: 250V AC,DC
 Temperature Range: -25°C ~ +85°C
 Contact Resistance: 30mΩ Max.
 Insulation Resistance: 1000MΩ Min.
 Withstanding Voltage: 800V AC/minute
 Pin Material: Brass/Gold-flash
 Material: Nylon 46,UL94V-0
 Cap: Nylon 6T,UL94V-0,Natural(Beige)
 Color: Natural(Beige)

Ordering Information & Dimensions

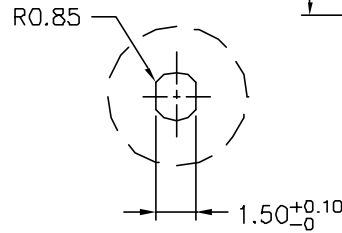
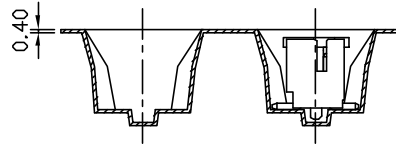
PART NO.	Dimensions		
	A	B	C
A2211WVB-SF-2X02P	2.00	6.00	4.00
A2211WVB-SF-2X03P	4.00	8.00	6.00
A2211WVB-SF-2X04P	6.00	10.00	8.00
A2211WVB-SF-2X05P	8.00	12.00	10.00
A2211WVB-SF-2X06P	10.00	14.00	12.00
A2211WVB-SF-2X07P	12.00	16.00	14.00
A2211WVB-SF-2X08P	14.00	18.00	16.00
A2211WVB-SF-2X09P	16.00	20.00	18.00
A2211WVB-SF-2X10P	18.00	22.00	20.00
A2211WVB-SF-2X11P	20.00	24.00	22.00
A2211WVB-SF-2X12P	22.00	26.00	24.00
A2211WVB-SF-2X13P	24.00	28.00	26.00
A2211WVB-SF-2X14P	26.00	30.00	28.00
A2211WVB-SF-2X15P	28.00	32.00	30.00
A2211WVB-SF-2X16P	30.00	34.00	32.00
A2211WVB-SF-2X17P	32.00	36.00	34.00
A2211WVB-SF-2X18P	34.00	38.00	36.00
A2211WVB-SF-2X19P	36.00	40.00	38.00
A2211WVB-SF-2X20P	38.00	42.00	40.00

				JOINT TECH ELECTRONIC IND. CO., LTD. JOY DAY INDUSTRIAL CO., LTD.		
		UNIT	SCALE	SHEET		
		mm		1 of 2		
		DRAWN BY		APPROVED BY		
		歐陽小強		謝瑞清		
		2007.12.29		2007.12.29		
		GENERAL TOLERANCE				
A1	REVISE	2008.02.19	X.X $\phi 0.25$	ANGLE \pm		
A0	NEW RELEASE	2007.12.29	X.XX $\phi 0.15$			
REV.	DESCRIPTION	DATE	X.XXX $\phi 0.05$			
		TITLE:			2.00mm PITCH 180 °WAFER-SMT TYPE, NYLON 46,GOLD-FLASH	
		DRAW NO.:				
		A2211WVB-SF-2XNP			REV. A1	

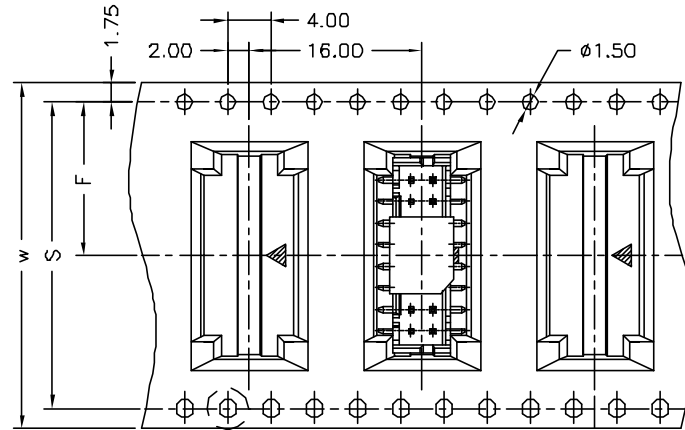
2X02~2X06 Contacts



Unreeling direction →

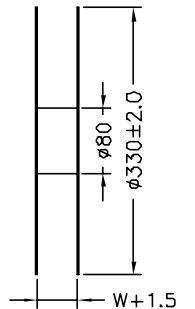
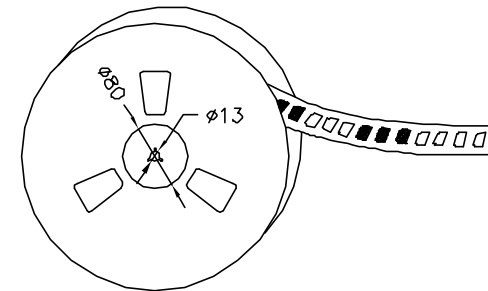
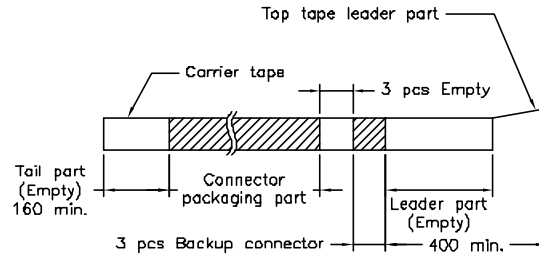


2X07~2X20 Contacts



Unreeling direction →

Number of Contacts	W±0.3	F±0.1	S±0.1	Q'ty/Reel
2X02P	16	7.50	/	400
2X03P	24	11.50		400
2X04P	24	11.50		400
2X05P	24	11.50		400
2X06P	24	11.50		400
2X07P	32	14.20		28.40
2X08P	32	14.20	28.40	400
2X09P	32	14.20	28.40	400
2X10P	44	20.20	40.40	400
2X11P	44	20.20	40.40	400
2X12P	44	20.20	40.40	400
2X13P	44	20.20	40.40	400
2X14P	44	20.20	40.40	400
2X15P	56	26.20	52.40	400
2X16P	56	26.20	52.40	400
2X17P	56	26.20	52.40	400
2X18P	56	26.20	52.40	400
2X19P	56	26.20	52.40	400
2X20P	56	26.20	52.40	400



				UNIT	SCALE	SHEET	TITLE:
				mm		2 of 2	
DRAWN BY		APPROVED BY		2.00mm PITCH 180 WAFER-SMT TYPE TAPING SPEC.			
歐陽小強		謝瑞清					
2007.12.29		2007.12.29					
GENERAL TOLERANCE				ANGLE ±			
A1	REVISE	2008.02.19	X.X ±0.25	DRAW NO.:			
A0	NEW RELEASE	2007.12.29	X.XX ±0.15				
REV.	DESCRIPTION	DATE	X.XXX ±0.05	A2211WVB-SF-2XNP			
							REV. A1