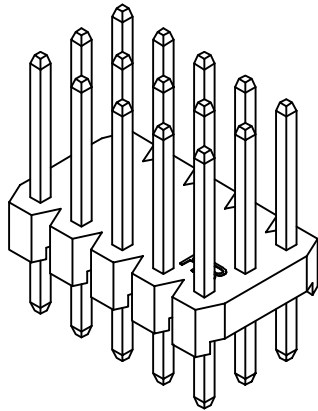
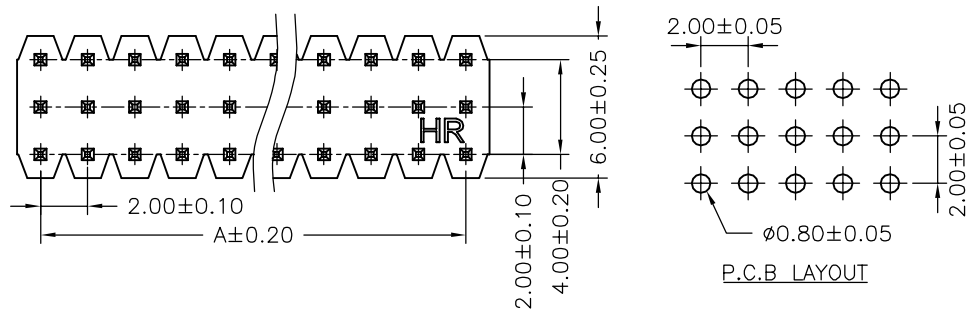


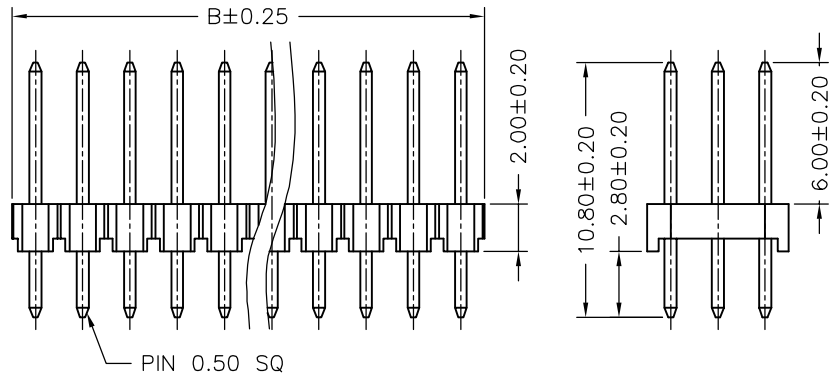
Ordering Information & Dimensions



PART NO.	Dimensions		PART NO.	Dimensions		PART NO.	Dimensions	
	A	B		A	B		A	B
A2018WV-3X04P	6.00	8.00	A2018WV-3X17P	32.00	34.00	A2018WV-3X30P	58.00	60.00
A2018WV-3X05P	8.00	10.00	A2018WV-3X18P	34.00	36.00	A2018WV-3X31P	60.00	62.00
A2018WV-3X06P	10.00	12.00	A2018WV-3X19P	36.00	38.00	A2018WV-3X32P	62.00	64.00
A2018WV-3X07P	12.00	14.00	A2018WV-3X20P	38.00	40.00	A2018WV-3X33P	64.00	66.00
A2018WV-3X08P	14.00	16.00	A2018WV-3X21P	40.00	42.00	A2018WV-3X34P	66.00	68.00
A2018WV-3X09P	16.00	18.00	A2018WV-3X22P	42.00	44.00	A2018WV-3X35P	68.00	70.00
A2018WV-3X10P	18.00	20.00	A2018WV-3X23P	44.00	46.00	A2018WV-3X36P	70.00	72.00
A2018WV-3X11P	20.00	22.00	A2018WV-3X24P	46.00	48.00	A2018WV-3X37P	72.00	74.00
A2018WV-3X12P	22.00	24.00	A2018WV-3X25P	48.00	50.00	A2018WV-3X38P	74.00	76.00
A2018WV-3X13P	24.00	26.00	A2018WV-3X26P	50.00	52.00	A2018WV-3X39P	76.00	78.00
A2018WV-3X14P	26.00	28.00	A2018WV-3X27P	52.00	54.00	A2018WV-3X40P	78.00	80.00
A2018WV-3X15P	28.00	30.00	A2018WV-3X28P	54.00	56.00			
A2018WV-3X16P	30.00	32.00	A2018WV-3X29P	56.00	58.00			



P.C.B LAYOUT



SPECIFICATIONS

Current Rating: 2A AC,DC
 Voltage Rating: 250V AC,DC
 Temperature Range: -25°C ~ +85°C
 Contact Resistance: 20mΩ Max.
 Insulation Resistance: 1000MΩ Min.
 Withstanding Voltage: 1000V AC/minute
 Pin Material: Brass/Gold-flash
 Material: PBT30%GF,UL94V-0
 Color: Natural(Black)

				JOINT TECH ELECTRONIC IND. CO., LTD. JOY DAY INDUSTRIAL CO., LTD.	
		UNIT	SCALE	SHEET	TITLE:
		mm		1 of 1	
		DRAWN BY	APPROVED BY		2.00mm PITCH 180° TRIPLE ROW PIN HEADER
		董正一	董正一		
		2004.09.08	2004.09.08		
		GENERAL TOLERANCE			
B1	REVISE	2007.11.26	X.X±0.25	ANGLE±	DRAW NO.: A2018WV-3XNP
B0	NEW RELEASE	2005.11.25	X.XX±0.15		
REV.	DESCRIPTION	DATE	X.XXX±0.05		
					REV. B1