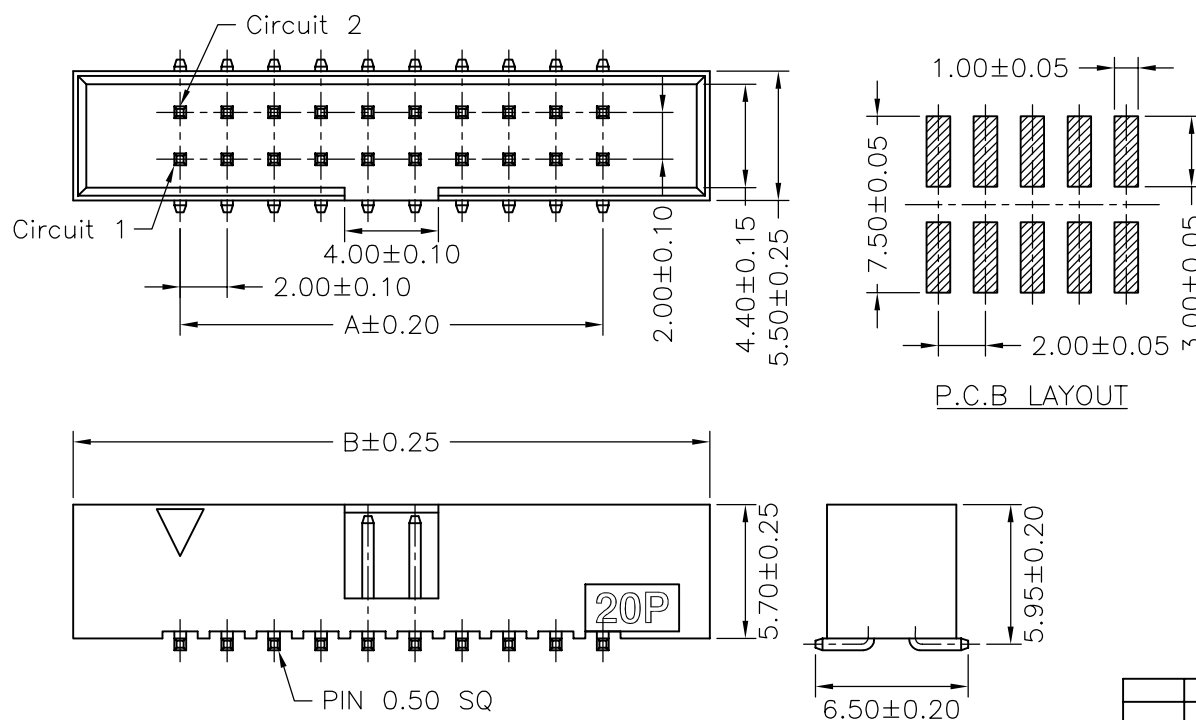


SPECIFICATIONS

Current Rating: 2A AC,DC
 Voltage Rating: 250V AC,DC
 Temperature Range: -25°C ~ +85°C
 Contact Resistance: 20mΩ Max
 Insulation Resistance: 1000MΩ Min
 Withstanding Voltage: 1000V AC/minute
 Pin Material: Brass/Gold-flash
 Material: Nylon 6T,UL94V-0
 Color: Natural(Black)

Ordering Information & Dimensions

PART NO.	Dimensions	
	A	B
A2017WV-S-2X05P	8.00	17.10
A2017WV-S-2X06P	10.00	19.10
A2017WV-S-2X07P	12.00	21.10
A2017WV-S-2X08P	14.00	23.10
A2017WV-S-2X10P	18.00	27.10
A2017WV-S-2X11P	20.00	29.10
A2017WV-S-2X12P	22.00	31.10
A2017WV-S-2X13P	24.00	33.10
A2017WV-S-2X15P	28.00	37.10
A2017WV-S-2X17P	32.00	41.10
A2017WV-S-2X20P	38.00	47.10
A2017WV-S-2X22P	42.00	51.10
A2017WV-S-2X24P	46.00	55.10
A2017WV-S-2X25P	48.00	57.10
A2017WV-S-2X30P	58.00	67.10
A2017WV-S-2X32P	62.00	71.10



				JOINT TECH ELECTRONIC IND. CO., LTD. JOY DAY INDUSTRIAL CO., LTD.	
		UNIT	SCALE	SHEET	TITLE:
		mm		1 of 1	2.00mm PITCH 180° BOX HEADER- SMT TYPE
		DRAWN BY	APPROVED BY		
		LEO	董正一		
		2007.12.03	2007.12.03		
		GENERAL TOLERANCE			
		X. X±0.25	ANGLE±		DRAW NO. : A2017WV-S-2XNP
A0	NEW RELEASE	2007.12.03	X. XX±0.15		
REV.	DESCRIPTION	DATE	X. XXX±0.05		
				REV. A0	