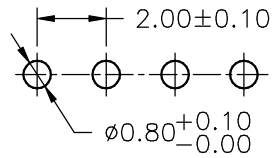
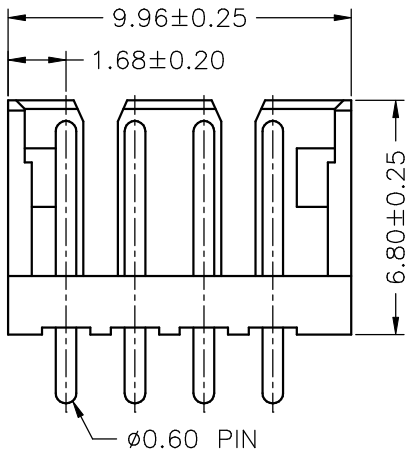
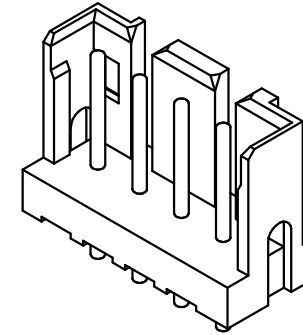
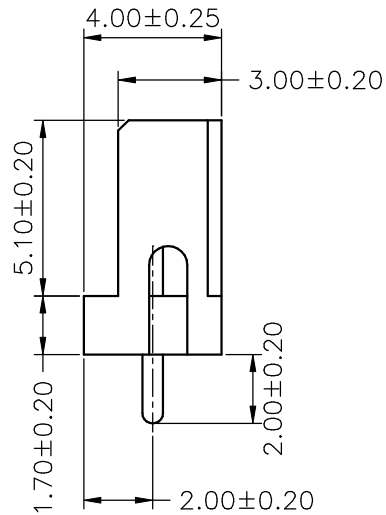


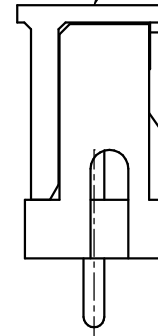
2.00±0.10
6.00±0.20
Circuit 1



P.C.B LAYOUT





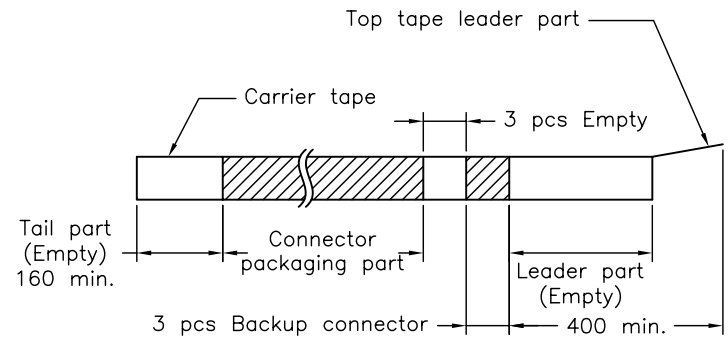
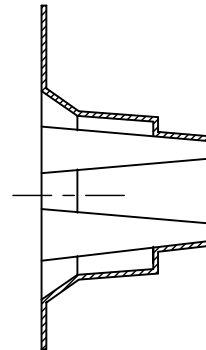
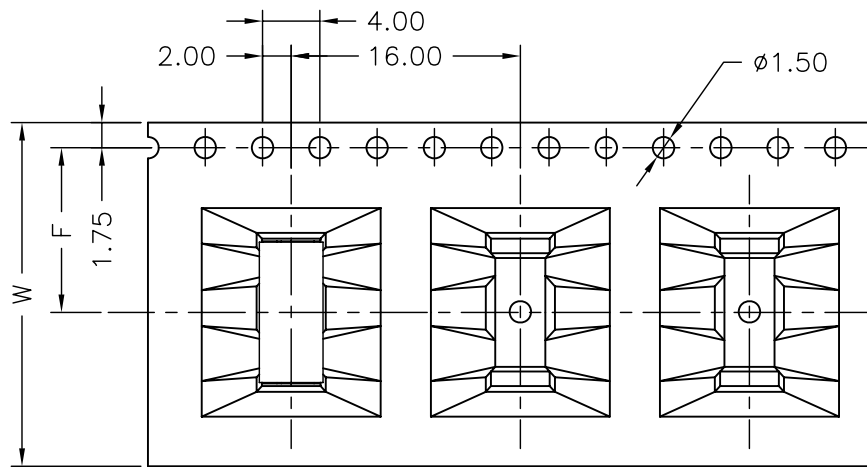
CAP
(FOR PICK AND
PLACE SYSTEMS)



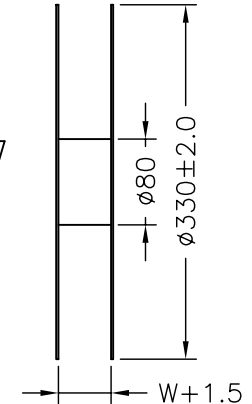
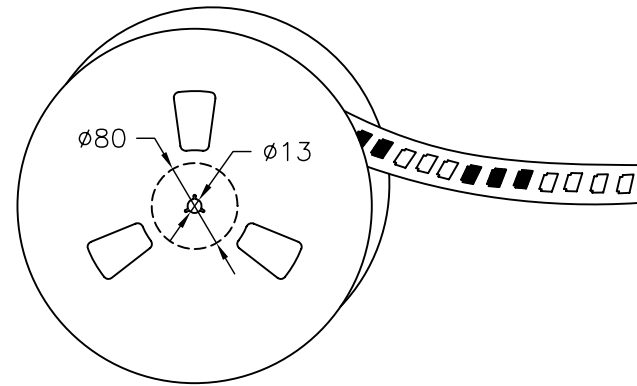
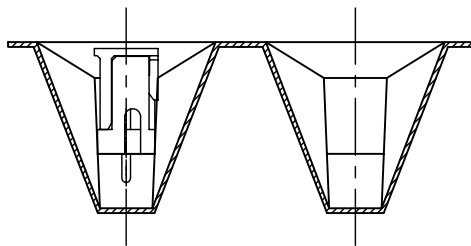
SPECIFICATIONS

Current Rating: 4A AC,DC
Voltage Rating: 125V AC,DC
Temperature Range: -25°C ~ +85°C
Contact Resistance: 10mΩ Max.
Insulation Resistance: 1000MΩ Min.
Withstanding Voltage: 1000V AC/minute
Pin Material: Brass/Tin-plated
Material: Nylon 46,UL94V-0
Cap: Nylon 46,UL94V-0,Natural(Beige)
Color: Natural(Beige)

				JOINT TECH ELECTRONIC IND. CO., LTD. JOY DAY INDUSTRIAL CO., LTD.	
UNIT	SCALE	SHEET	TITLE:		
mm		1 of 2	P/N:A2013WVA-04P		
DRAWN BY	APPROVED BY	2.00mm PITCH			
李勤	董正一	180° WAFER			
2006.05.24	2006.05.24	DRAW NO. :			
GENERAL TOLERANCE		A2013WVA-04P			
X. X±0.25	ANGLE±	REV. A0			
X. XX±0.15					
X. XXX±0.05					
AO	NEW RELEASE	2006.05.24			
REV.	DESCRIPTION	DATE			



Unreeling direction →



Number of Contacts	W±0.3	F±0.1	Q'ty/Reel
04P	24	11.50	300

				UNIT	SCALE	SHEET
				mm		2 of 2
				DRAWN BY		APPROVED BY
				李勤		董正一
				2006.05.24		2006.05.24
				GENERAL TOLERANCE		
A1	REVISE	2006.06.27	X. X±0.25	ANGLE±		
A0	NEW RELEASE	2006.05.24	X. XX±0.15			
REV.	DESCRIPTION	DATE	X. XXX±0.05			
						TITLE:
						2.00mm PITCH 180° WAFER TAPING SPEC.
DRAW NO. :						REV. A1
A2013WVA-04P						