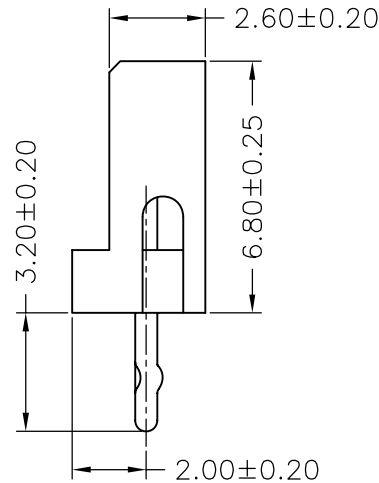
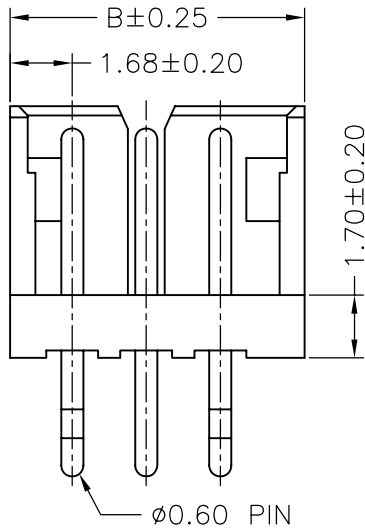
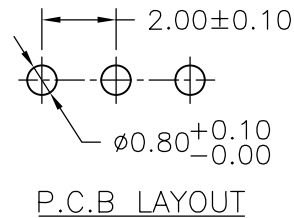
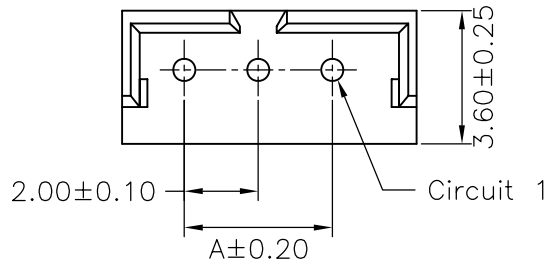


SPECIFICATIONS

Current Rating: 4A AC,DC
 Voltage Rating: 125V AC,DC
 Temperature Range: -25°C ~ +85°C
 Contact Resistance: 10mΩ Max.
 Insulation Resistance: 1000MΩ Min.
 Withstanding Voltage: 1000V AC/minute
 Pin Material: Brass/Gold-flash 1~3u"
 Material: Nylon 46,UL94V-0
 Color: Natural(Beige)

Ordering Information & Dimensions

PART NO.	Dimensions	
	A	B
A2013WV-02P46G	2.00	5.96
A2013WV-03P46G	4.00	7.96
A2013WV-04P46G	6.00	9.96
A2013WV-05P46G	8.00	11.96
A2013WV-06P46G	10.00	13.96
A2013WV-07P46G	12.00	15.96
A2013WV-08P46G	14.00	17.96
A2013WV-09P46G	16.00	19.96
A2013WV-10P46G	18.00	21.96
A2013WV-11P46G	20.00	23.96
A2013WV-12P46G	22.00	25.96
A2013WV-13P46G	24.00	27.96
A2013WV-14P46G	26.00	29.96
A2013WV-15P46G	28.00	31.96



JOINT TECH ELECTRONIC IND. CO., LTD.
 JOY DAY INDUSTRIAL CO., LTD.

UNIT	SCALE	SHEET
mm		1 of 1
DRAWN BY	APPROVED BY	
朱恆秀	董正一	
2008.02.22	2008.02.22	
GENERAL TOLERANCE		
X. X±0.25	ANGLE±	
X. XX±0.15	▷	
X. XXX±0.05	◻	

TITLE:	2.00mm PITCH 180° WAFER, NYLON 46, GOLD-FLASH
DRAW NO. :	
A2013WV-XP46G	REV. AO

AO	NEW RELEASE	2008.02.22
REV.	DESCRIPTION	DATE