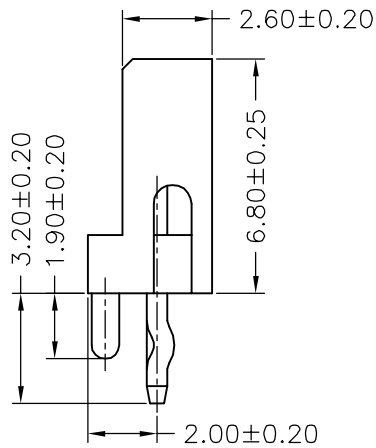
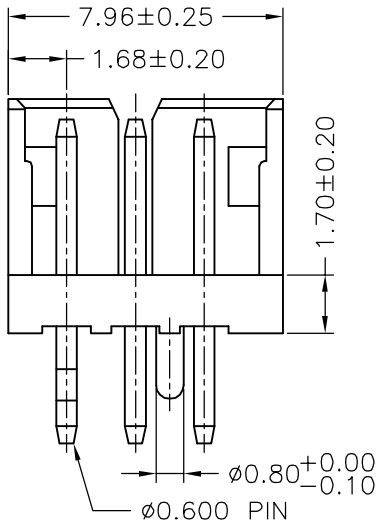
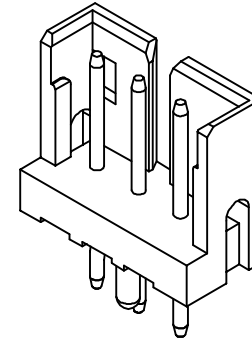


P.C.B LAYOUT



SPECIFICATIONS

Current Rating: 4A AC,DC
 Voltage Rating: 125V AC,DC
 Temperature Range: -25°C ~ +85°C
 Contact Resistance: 10mΩ Max.
 Insulation Resistance: 1000MΩ Min.
 Withstanding Voltage: 1000V AC/minute
 Pin Material: Brass/Tin-plated
 Material: Nylon 66,UL94V-0
 Color: Natural(White)

				JOINT TECH ELECTRONIC IND. CO., LTD. JOY DAY INDUSTRIAL CO., LTD.	
		UNIT	SCALE	SHEET	TITLE:
		mm		1 of 1	
		DRAWN BY	APPROVED BY		P/N: A2013WV-F-03P 2.00mm PITCH 180° WAFER WITH FOOT
		李勤 2006.05.24	董正一 2006.05.24		
		GENERAL TOLERANCE			
A1	ECN NO. EN0911040539	2009.11.04	X.X±0.25	ANGLE±	DRAW NO. : A2013WV-F-03P
A0	NEW RELEASE	2006.05.24	X.XX±0.15		
REV.	DESCRIPTION	DATE	X.XXX±0.05		