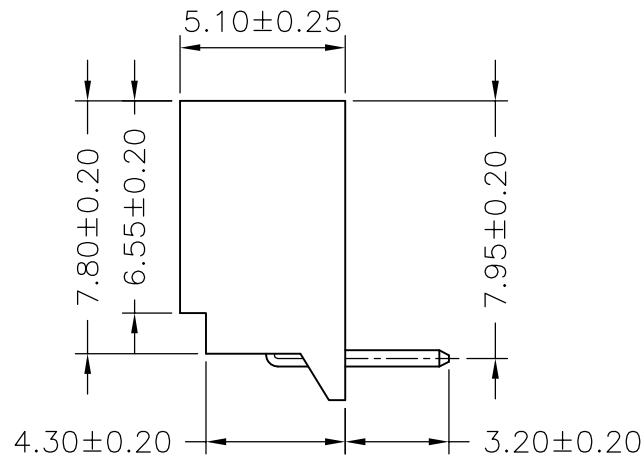
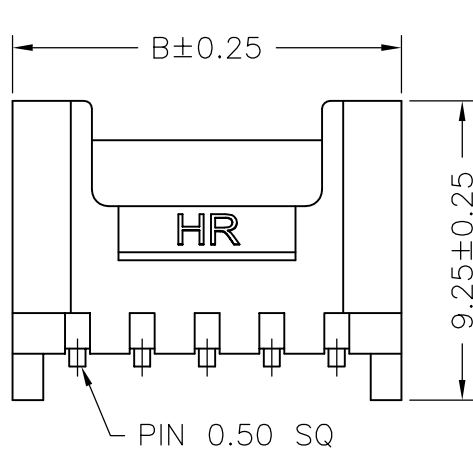
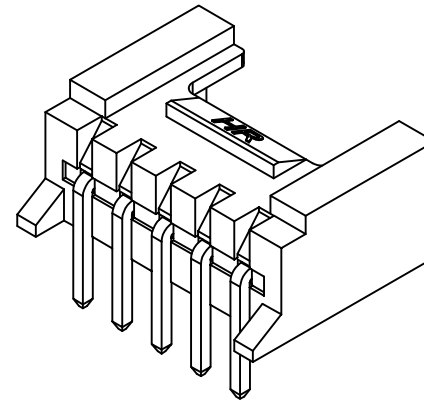


P.C.B LAYOUT



SPECIFICATIONS

Current Rating: 3A AC,DC  
 Voltage Rating: 250V AC,DC  
 Temperature Range: -25°C ~ +85°C  
 Contact Resistance: 30mΩ Max  
 Insulation Resistance: 1000MΩ Min  
 Withstanding Voltage: 1000V AC/minute  
 Pin Material: Brass/Gold-flash  
 Material: Nylon 46,UL94V-0  
 Color: Natural(Beige)

Ordering Information & Dimensions

PART NO.	Dimensions	
	A	B
A2006WR-02P	2.00	6.00
A2006WR-03P	4.00	8.00
A2006WR-04P	6.00	10.00
A2006WR-05P	8.00	12.00
A2006WR-06P	10.00	14.00
A2006WR-07P	12.00	16.00
A2006WR-08P	14.00	18.00
A2006WR-09P	16.00	20.00
A2006WR-10P	18.00	22.00
A2006WR-11P	20.00	24.00
A2006WR-12P	22.00	26.00
A2006WR-13P	24.00	28.00
A2006WR-14P	26.00	30.00
A2006WR-15P	28.00	32.00
A2006WR-16P	30.00	34.00

					JOINT TECH ELECTRONIC IND. CO., LTD. JOY DAY INDUSTRIAL CO., LTD.		
			UNIT	SCALE	SHEET	TITLE:	
			mm		1 of 1	2.00mm PITCH 90° WAFER	
B4	REVISE	2007.05.18	DRAWN BY		APPROVED BY		
B3	REVISE	2006.05.11	董正一		董正一		
B2	REVISE	2006.05.07	GENERAL TOLERANCE				
B1	REVISE	2005.11.24	X. X ± 0.25	ANGLE ±			
B0	NEW RELEASE	2005.10.07	X. XX ± 0.15				
REV.	DESCRIPTION	DATE	X. XXX ± 0.05			DRAW NO.:	REV.
					A2006WR-XP	B4	