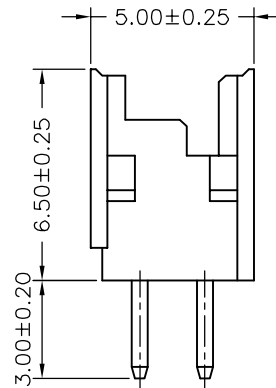
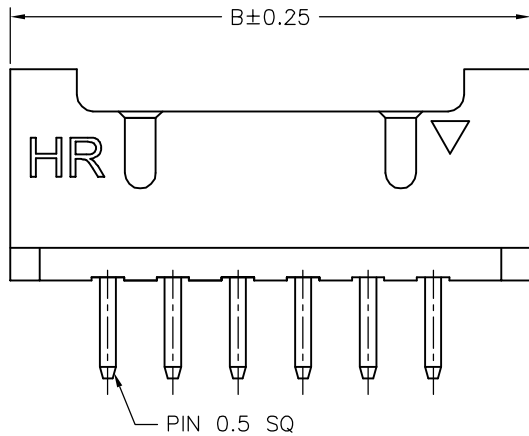
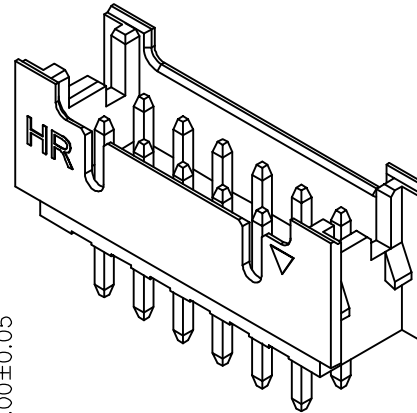


P.C.B LAYOUT



SPECIFICATIONS

Current Rating: 3A AC,DC
 Voltage Rating: 250V AC,DC
 Temperature Range: -25°C ~ +85°C
 Contact Resistance: 10mΩ Max.
 Insulation Resistance: 1000MΩ Min.
 Withstanding Voltage: 800V AC/minute
 Pin Material: Brass/Gold-flash
 Material: Nylon 6T,UL94V-0
 Color: Natural(Beige)

Ordering Information & Dimensions

PART NO.	Dimensions	
	A	B
A2004WVA-2X02P	2.00	8.00
A2004WVA-2X03P	4.00	10.00
A2004WVA-2X04P	6.00	12.00
A2004WVA-2X05P	8.00	14.00
A2004WVA-2X06P	10.00	16.00
A2004WVA-2X07P	12.00	18.00
A2004WVA-2X08P	14.00	20.00
A2004WVA-2X09P	16.00	22.00
A2004WVA-2X10P	18.00	24.00
A2004WVA-2X11P	20.00	26.00
A2004WVA-2X12P	22.00	28.00
A2004WVA-2X13P	24.00	30.00
A2004WVA-2X14P	26.00	32.00
A2004WVA-2X15P	28.00	34.00
A2004WVA-2X16P	30.00	36.00
A2004WVA-2X17P	32.00	38.00
A2004WVA-2X18P	34.00	40.00
A2004WVA-2X19P	36.00	42.00
A2004WVA-2X20P	38.00	44.00

				JOINT TECH ELECTRONIC IND. CO., LTD. JOY DAY INDUSTRIAL CO., LTD.		
UNIT	SCALE	SHEET	TITLE:			
mm		1 of 1	2.00mm PITCH 180° WAFER-LOCK TYPE			
DRAWN BY		APPROVED BY				
歐陽小強		董正一				
2006.10.27		2006.10.27				
GENERAL TOLERANCE						
		X. X±0.25	ANGLE±			
		X. XX±0.15				
		X. XXX±0.05				
A0	NEW RELEASE	2006.10.27	DRAW NO. : A2004WVA-2XNP			
REV.	DESCRIPTION	DATE			REV. A0	