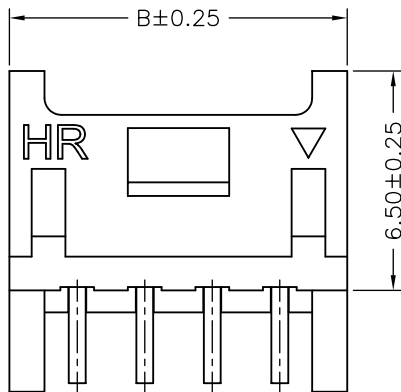
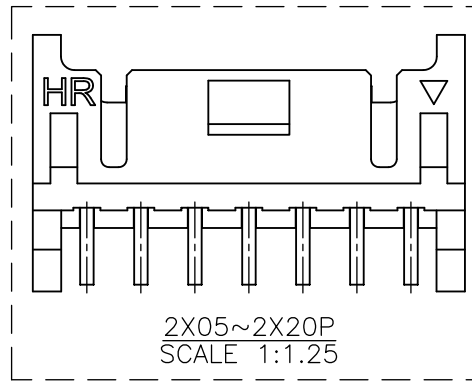
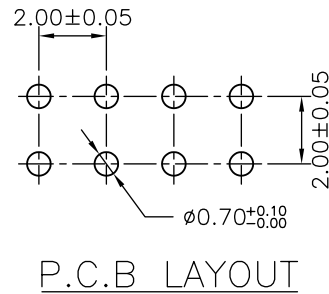
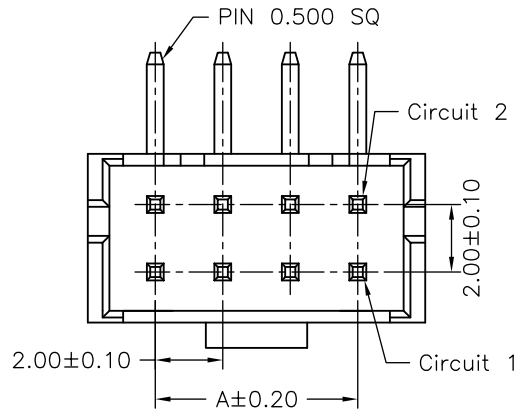


SPECIFICATIONS

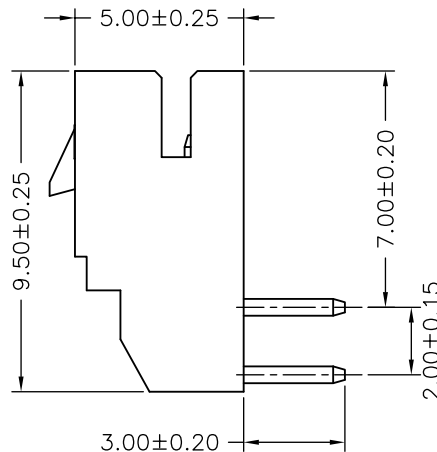
Current Rating: 3A AC,DC
 Voltage Rating: 250V AC,DC
 Temperature Range: -25°C ~ +85°C
 Contact Resistance: 10mΩ Max.
 Insulation Resistance: 1000MΩ Min.
 Withstanding Voltage: 800V AC/minute
 Pin Material: Brass/Tin-plated
 Material: Nylon 66,UL94V-0
 Color: Natural(White)

Ordering Information & Dimensions

PART NO.	Dimensions	
	A	B
A2004WRB-2X02P	2.00	6.00
A2004WRB-2X03P	4.00	8.00
A2004WRB-2X04P	6.00	10.00
A2004WRB-2X05P	8.00	12.00
A2004WRB-2X06P	10.00	14.00
A2004WRB-2X07P	12.00	16.00
A2004WRB-2X08P	14.00	18.00
A2004WRB-2X09P	16.00	20.00
A2004WRB-2X10P	18.00	22.00
A2004WRB-2X11P	20.00	24.00
A2004WRB-2X12P	22.00	26.00
A2004WRB-2X13P	24.00	28.00
A2004WRB-2X14P	26.00	30.00
A2004WRB-2X15P	28.00	32.00
A2004WRB-2X16P	30.00	34.00
A2004WRB-2X17P	32.00	36.00
A2004WRB-2X18P	34.00	38.00
A2004WRB-2X19P	36.00	40.00
A2004WRB-2X20P	38.00	42.00



2X02~2X04P



					JOINT TECH ELECTRONIC IND. CO., LTD. JOY DAY INDUSTRIAL CO., LTD.	
			UNIT	SCALE	SHEET	TITLE:
			mm		1 of 1	2.00mm PITCH 90° WAFER
			DRAWN BY	APPROVED BY		
			歐陽小強 2008.01.08	謝瑞清 2008.01.08		
			GENERAL TOLERANCE			DRAW NO. : A2004WRB-2XNP
A1	REVISE	2008.06.02	X. X±0.25	ANGLE±		
A0	NEW RELEASE	2008.01.08	X. XX±0.15			
REV.	DESCRIPTION	DATE	X. XXX±0.05			