

Ordering Information:

A2001WVR-XP \*  
 1 2

1.Part No.

2.Style:

1-Type 1

2-Type 2

SPECIFICATIONS

Current Rating: 2A AC,DC

Voltage Rating: 100V AC,DC

Temperature Range: -25°C ~ +85°C

Contact Resistance: 10mΩ Max.

Insulation Resistance: 1000MΩ Min.

Withstanding Voltage: 800V AC/minute

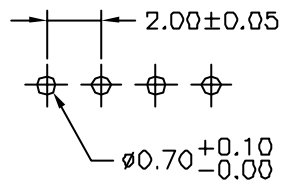
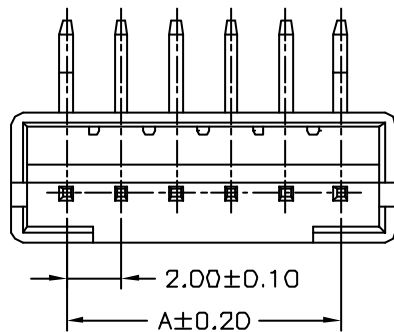
Pin Material: Brass/Tin-plated

Material: Nylon 66,UL94V-0

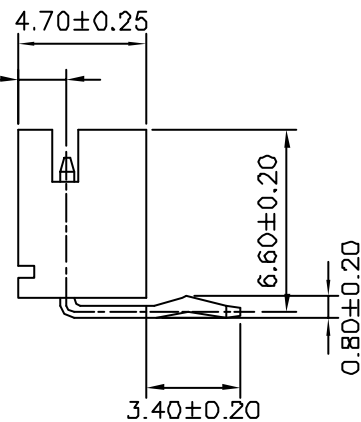
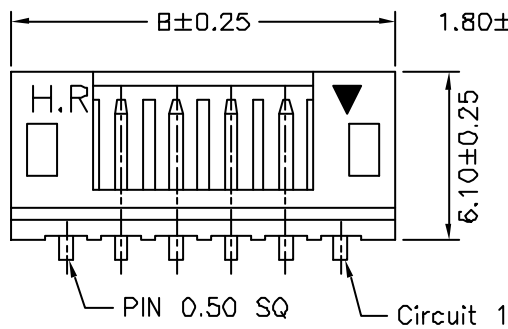
Color: Natural(White)

Ordering Information & Dimensions

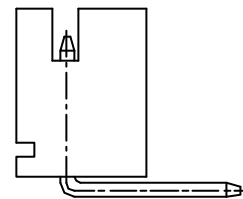
PART NO.	Dimensions	
	A	B
A2001WVR-02P	2.00	6.00
A2001WVR-03P	4.00	8.00
A2001WVR-04P	6.00	10.00
A2001WVR-05P	8.00	12.00
A2001WVR-06P	10.00	14.00
A2001WVR-07P	12.00	16.00
A2001WVR-08P	14.00	18.00
A2001WVR-09P	16.00	20.00
A2001WVR-10P	18.00	22.00
A2001WVR-11P	20.00	24.00
A2001WVR-12P	22.00	26.00
A2001WVR-13P	24.00	28.00
A2001WVR-14P	26.00	30.00
A2001WVR-15P	28.00	32.00
A2001WVR-16P	30.00	34.00
A2001WVR-17P	32.00	36.00
A2001WVR-18P	34.00	38.00



P.C.B LAYOUT



TYPE 1



TYPE 2

				TITLE:	
				2.00mm PITCH 90 °WAFER	
		UNIT	SCALE	SHEET	DRAW NO. : A2001WVR-XPX
		mm		1 of 1	
		DRAWN BY		APPROVED BY	
		李勤		董正一	
		2006.07.21		2006.07.21	
		GENERAL TOLERANCE			
A1	REVISE	2006.09.02	X.X ±0.25	ANGLE ±	
A0	NEW RELEASE	2006.07.21	X.XX ±0.15		
REV.	DESCRIPTION	DATE	X.XXX ±0.05		
				REV. A1	