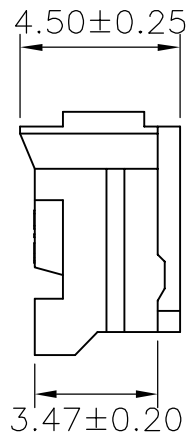
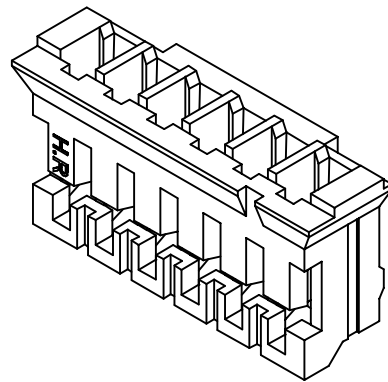


Circuit 1





SPECIFICATIONS

Current Rating: 2A AC,DC
 Voltage Rating: 100V AC,DC
 Temperature Range: $-25^{\circ}\text{C} \sim +85^{\circ}\text{C}$
 Contact Resistance: $10\text{m}\Omega$ Max.
 Insulation Resistance: $1000\text{M}\Omega$ Min.
 Withstanding Voltage: 800V AC/minute
 Material: Nylon 66,UL94V-0
 Color: Natural(White)

Ordering Information & Dimensions

PART NO.	Dimensions		
	A	B	C
A2001H-02P	2.00	5.80	0.50
A2001H-03P	4.00	7.80	1.68
A2001H-04P	6.00	9.80	3.50
A2001H-05P	8.00	11.80	5.50
A2001H-06P	10.00	13.80	7.50
A2001H-07P	12.00	15.80	9.50
A2001H-08P	14.00	17.80	11.50
A2001H-09P	16.00	19.80	13.50
A2001H-10P	18.00	21.80	15.50
A2001H-11P	20.00	23.80	17.50
A2001H-12P	22.00	25.80	19.50
A2001H-13P	24.00	27.80	21.50
A2001H-14P	26.00	29.80	23.50
A2001H-15P	28.00	31.80	25.50
A2001H-16P	30.00	33.80	27.50
A2001H-17P	32.00	35.80	29.50
A2001H-18P	34.00	37.80	31.50

				JOINT TECH ELECTRONIC IND. CO., LTD.	
		JOY DAY INDUSTRIAL CO., LTD.			
		UNIT	SCALE	SHEET	TITLE:
		mm		1 of 1	2.00mm PITCH HOUSING
		DRAWN BY	APPROVED BY		
		董正一	董正一		
		2001.02.01	2001.02.01		
B2	REVISE	2007.12.24	GENERAL TOLERANCE		
B1	REVISE	2006.09.02	X. X±0.25	ANGLE±	
B0	NEW RELEASE	2006.07.21	X. XX±0.15		
REV.	DESCRIPTION	DATE	X. XXX±0.05		
				DRAW NO.:	REV.
				A2001H-XP	B2