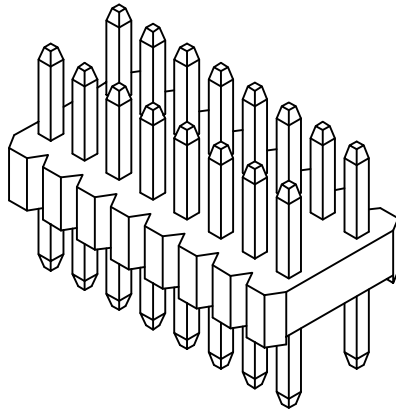
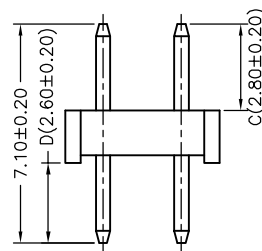
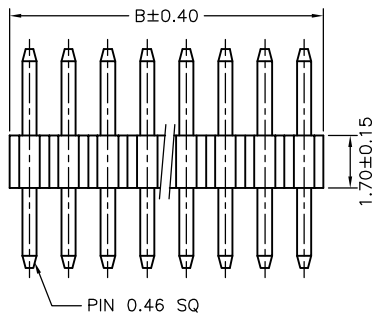
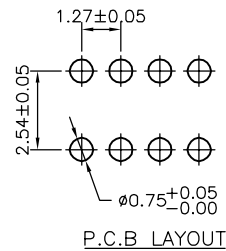
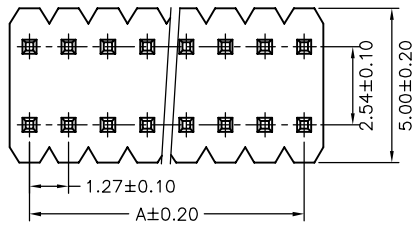


Ordering Information & Dimensions



| PART NO. | Dimensions | | PART NO. | Dimensions | | PART NO. | Dimensions | |
|---------------|------------|-------|---------------|------------|-------|---------------|------------|-------|
| | A | B | | A | B | | A | B |
| A1276WV-2X03P | 2.54 | 3.81 | A1276WV-2X19P | 22.86 | 24.13 | A1276WV-2X35P | 43.18 | 44.45 |
| A1276WV-2X04P | 3.81 | 5.08 | A1276WV-2X20P | 24.13 | 25.40 | A1276WV-2X36P | 44.45 | 45.72 |
| A1276WV-2X05P | 5.08 | 6.35 | A1276WV-2X21P | 25.40 | 26.67 | A1276WV-2X37P | 45.72 | 46.99 |
| A1276WV-2X06P | 6.35 | 7.62 | A1276WV-2X22P | 26.67 | 27.94 | A1276WV-2X38P | 46.99 | 48.26 |
| A1276WV-2X07P | 7.62 | 8.89 | A1276WV-2X23P | 27.94 | 29.21 | A1276WV-2X39P | 48.26 | 49.53 |
| A1276WV-2X08P | 8.89 | 10.16 | A1276WV-2X24P | 29.21 | 30.48 | A1276WV-2X40P | 49.53 | 50.80 |
| A1276WV-2X09P | 10.16 | 11.43 | A1276WV-2X25P | 30.48 | 31.75 | A1276WV-2X41P | 50.80 | 52.07 |
| A1276WV-2X10P | 11.43 | 12.70 | A1276WV-2X26P | 31.75 | 33.02 | A1276WV-2X42P | 52.07 | 53.34 |
| A1276WV-2X11P | 12.70 | 13.97 | A1276WV-2X27P | 33.02 | 34.29 | A1276WV-2X43P | 53.34 | 54.61 |
| A1276WV-2X12P | 13.97 | 15.24 | A1276WV-2X28P | 34.29 | 35.56 | A1276WV-2X44P | 54.61 | 55.88 |
| A1276WV-2X13P | 15.24 | 16.51 | A1276WV-2X29P | 35.56 | 36.83 | A1276WV-2X45P | 55.88 | 57.15 |
| A1276WV-2X14P | 16.51 | 17.78 | A1276WV-2X30P | 36.83 | 38.10 | A1276WV-2X46P | 57.15 | 58.42 |
| A1276WV-2X15P | 17.78 | 19.05 | A1276WV-2X31P | 38.10 | 39.37 | A1276WV-2X47P | 58.42 | 59.69 |
| A1276WV-2X16P | 19.05 | 20.32 | A1276WV-2X32P | 39.37 | 40.64 | A1276WV-2X48P | 59.69 | 60.96 |
| A1276WV-2X17P | 20.32 | 21.59 | A1276WV-2X33P | 40.64 | 41.91 | A1276WV-2X49P | 60.96 | 62.23 |
| A1276WV-2X18P | 21.59 | 22.86 | A1276WV-2X34P | 41.91 | 43.18 | A1276WV-2X50P | 62.23 | 63.50 |



Optional Dim. available but MOQ requested

SPECIFICATIONS

Current Rating: 1A AC,DC
 Voltage Rating: 250V AC,DC
 Temperature Range: -25°C ~ +85°C
 Contact Resistance: 20mΩ Max.
 Insulation Resistance: 5000MΩ Min.
 Withstanding Voltage: 500V AC/minute
 Pin Material: Brass/Gold-flash
 Material: Nylon 6T,UL94V-0
 Color: Natural(Black)

| | | | | | |
|------|-------------|-------------------|------------|--|--|
| | | | | JOINT TECH ELECTRONIC IND. CO., LTD. JOY DAY INDUSTRIAL CO., LTD. | |
| | | UNIT | SCALE | SHEET | TITLE: |
| | | mm | | 1 of 1 | 1.27mm X 2.54mm PITCH 180° DUAL ROW PIN HEADER |
| | | DRAWN BY | | APPROVED BY | |
| | | 董正一 | | 董正一 | |
| | | 2005.05.03 | | 2005.05.03 | |
| | | GENERAL TOLERANCE | | | |
| B1 | REVISE | 2006.12.03 | X.X±0.25 | ANGLE± | |
| B0 | NEW RELEASE | 2005.11.22 | X.XX±0.15 | | |
| REV. | DESCRIPTION | DATE | X.XXX±0.05 | | |
| | | | | | DRAW NO.: |
| | | | | | A1276WV-2XNP |
| | | | | | REV. B1 |