

Ordering Information:

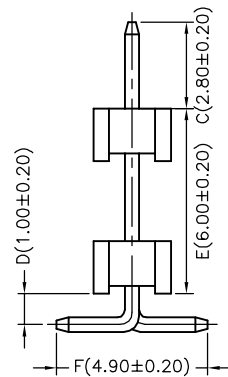
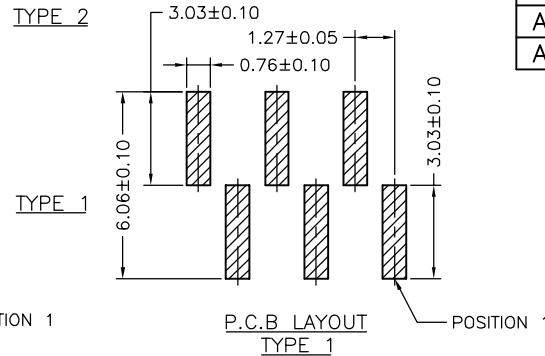
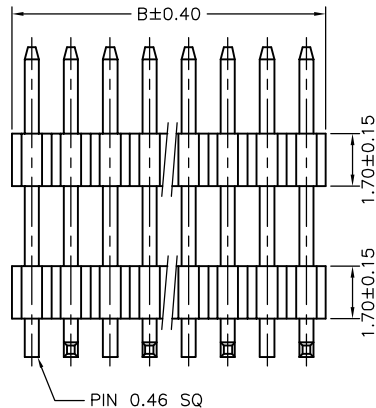
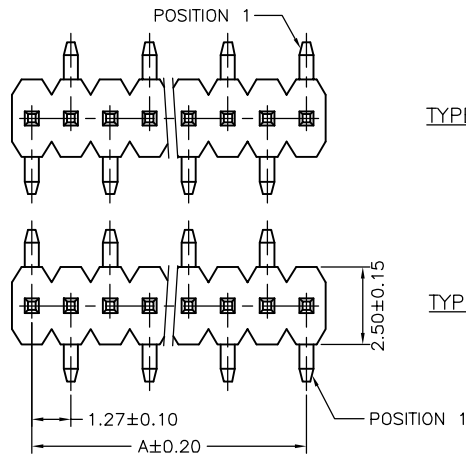
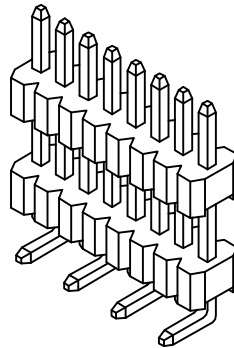
A1275WVA-S-XP \*  
 1                      2

1.Part No.

2.Style:

- 1-Type 1
- 2-Type 2

\*Optional Dim. available but  
 MOQ requested\*



Ordering Information & Dimensions

PART NO.	Dimensions		PART NO.	Dimensions	
	A	B		A	B
A1275WVA-S-03P	2.54	3.81	A1275WVA-S-18P	21.59	22.86
A1275WVA-S-04P	3.81	5.08	A1275WVA-S-19P	22.86	24.13
A1275WVA-S-05P	5.08	6.35	A1275WVA-S-20P	24.13	25.40
A1275WVA-S-06P	6.35	7.62	A1275WVA-S-21P	25.40	26.67
A1275WVA-S-07P	7.62	8.89	A1275WVA-S-22P	26.67	27.94
A1275WVA-S-08P	8.89	10.16	A1275WVA-S-23P	27.94	29.21
A1275WVA-S-09P	10.16	11.43	A1275WVA-S-24P	29.21	30.48
A1275WVA-S-10P	11.43	12.70	A1275WVA-S-25P	30.48	31.75
A1275WVA-S-11P	12.70	13.97	A1275WVA-S-26P	31.75	33.02
A1275WVA-S-12P	13.97	15.24	A1275WVA-S-27P	33.02	34.29
A1275WVA-S-13P	15.24	16.51	A1275WVA-S-28P	34.29	35.56
A1275WVA-S-14P	16.51	17.78	A1275WVA-S-29P	35.56	36.83
A1275WVA-S-15P	17.78	19.05	A1275WVA-S-30P	36.83	38.10
A1275WVA-S-16P	19.05	20.32	A1275WVA-S-31P	38.10	39.37
A1275WVA-S-17P	20.32	21.59	A1275WVA-S-32P	39.37	40.64

SPECIFICATIONS

Current Rating: 1A AC,DC  
 Voltage Rating: 250V AC,DC  
 Temperature Range: -25°C ~ +85°C  
 Contact Resistance: 20mΩ Max.  
 Insulation Resistance: 5000MΩ Min.  
 Withstanding Voltage: 500V AC/minute  
 Pin Material: Brass/Gold-flash  
 Material: Nylon 6T,UL94V-0  
 Color: Natural(Black)

				JOINT TECH ELECTRONIC IND. CO., LTD. JOY DAY INDUSTRIAL CO., LTD.	
		UNIT	SCALE	SHEET	TITLE:
		mm		1 of 1	1.27mm PITCH 180° SINGLE ROW PIN HEADER-SMT TYPE
		DRAWN BY	APPROVED BY		
		董正一 2005.05.03	董正一 2005.05.03		
GENERAL TOLERANCE					
B1	REVISE	2006.12.03	X.X±0.25	ANGLE±	DRAW NO.: A1275WVA-S-XP
B0	NEW RELEASE	2005.11.22	X.XX±0.15		
REV.	DESCRIPTION	DATE	X.XXX±0.05		
					REV. B1