

Ordering Information:

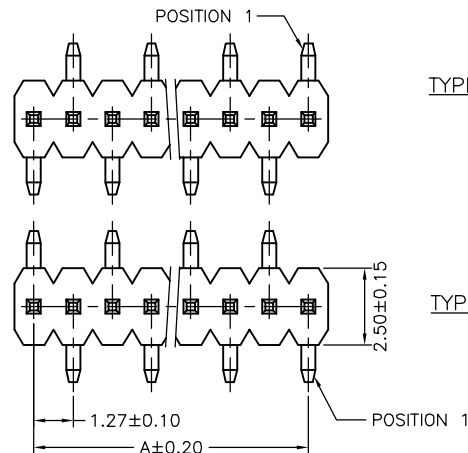
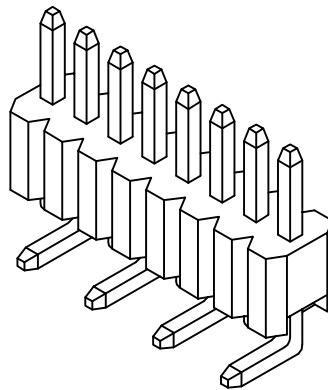
A1273WV-S-XP *
 1 2

1.Part No.

2.Style:

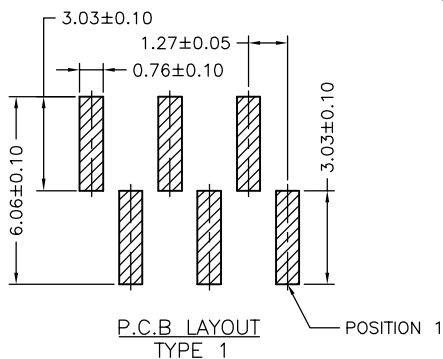
- 1-Type 1
- 2-Type 2

*Optional Dim. available but
 MOQ requested*

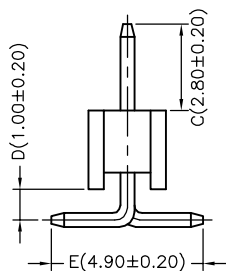
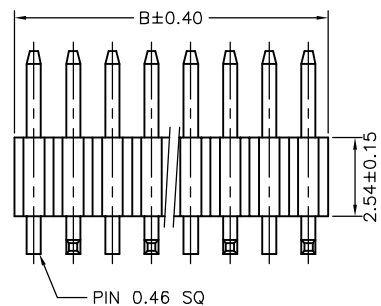


TYPE 2

TYPE 1



P.C.B. LAYOUT
 TYPE 1



Ordering Information & Dimensions

PART NO.	Dimensions		PART NO.	Dimensions	
	A	B		A	B
A1273WV-S-03P	2.54	3.81	A1273WV-S-18P	21.59	22.86
A1273WV-S-04P	3.81	5.08	A1273WV-S-19P	22.86	24.13
A1273WV-S-05P	5.08	6.35	A1273WV-S-20P	24.13	25.40
A1273WV-S-06P	6.35	7.62	A1273WV-S-21P	25.40	26.67
A1273WV-S-07P	7.62	8.89	A1273WV-S-22P	26.67	27.94
A1273WV-S-08P	8.89	10.16	A1273WV-S-23P	27.94	29.21
A1273WV-S-09P	10.16	11.43	A1273WV-S-24P	29.21	30.48
A1273WV-S-10P	11.43	12.70	A1273WV-S-25P	30.48	31.75
A1273WV-S-11P	12.70	13.97	A1273WV-S-26P	31.75	33.02
A1273WV-S-12P	13.97	15.24	A1273WV-S-27P	33.02	34.29
A1273WV-S-13P	15.24	16.51	A1273WV-S-28P	34.29	35.56
A1273WV-S-14P	16.51	17.78	A1273WV-S-29P	35.56	36.83
A1273WV-S-15P	17.78	19.05	A1273WV-S-30P	36.83	38.10
A1273WV-S-16P	19.05	20.32	A1273WV-S-31P	38.10	39.37
A1273WV-S-17P	20.32	21.59	A1273WV-S-32P	39.37	40.64

SPECIFICATIONS

Current Rating: 1A AC,DC
 Voltage Rating: 250V AC,DC
 Temperature Range: -25°C ~ +85°C
 Contact Resistance: 20mΩ Max.
 Insulation Resistance: 5000MΩ Min.
 Withstanding Voltage: 500V AC/minute
 Pin Material: Brass/Gold-flash
 Material: Nylon 6T,UL94V-0
 Color: Natural(Black)

UNIT	SCALE	SHEET	TITLE:
mm		1 of 1	1.27mm PITCH 180° SINGLE ROW PIN HEADER-SMT TYPE
DRAWN BY	APPROVED BY		
董正一	董正一		
2003.06.12	2003.06.12		
GENERAL TOLERANCE			
B1	REVISE	2006.12.03	X. X±0.25
B0	NEW RELEASE	2005.11.22	X. XX±0.15
REV.	DESCRIPTION	DATE	X. XXX±0.05
			DRW NO.: A1273WV-S-XP
			REV. B1