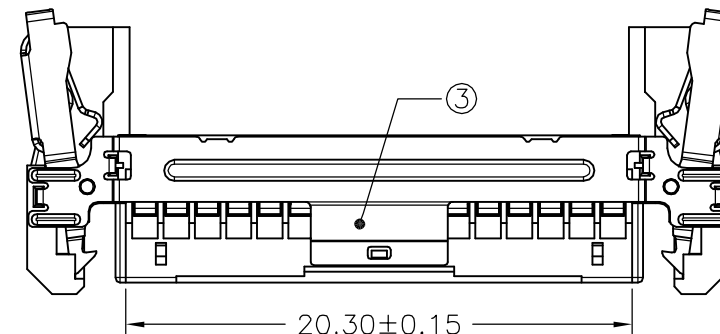
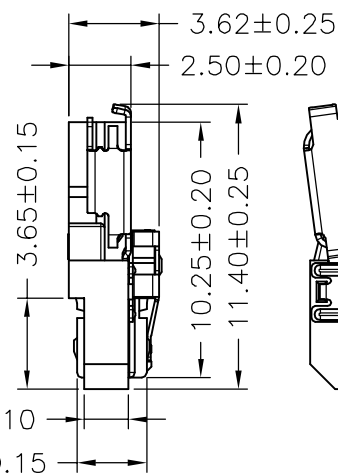
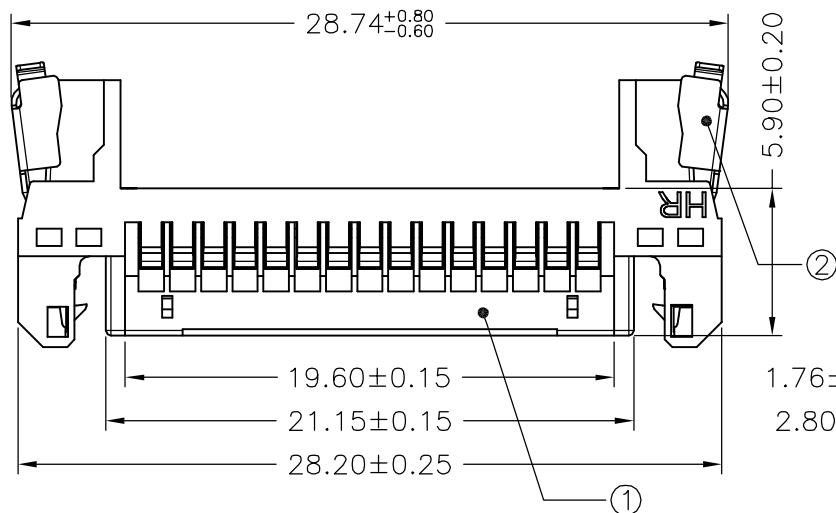


SPECIFICATIONS
 Current Rating: 1A AC,DC
 Voltage Rating: 200V AC,DC
 Temperature Range: $-25^{\circ}\text{C} \sim +85^{\circ}\text{C}$
 Contact Resistance: 40m Ω Max.
 Insulation Resistance: 100M Ω Min.
 Withstanding Voltage: 500V AC/minute



No.	Description	Material	Color
1	Insulator	Nylon 66,UL94V-0	Black
2	Ground plate	Stainless	---
3	Lock lever	Stainless	---

		UNIT	SCALE
		mm	1 of 1
		DRAWN BY	APPROVED BY
		歐陽小強	謝瑞清
		2007.08.09	2007.08.09
		GENERAL TOLERANCE	
		X. X \pm 0.25	ANGLE \pm
		X. XX \pm 0.15	
		X. XXX \pm 0.05	
AO	NEW RELEASE	2007.08.09	TITLE: P/N: A1256HA-31P, 1.25mm PITCH DUAL ROW HOUSING
REV.	DESCRIPTION	DATE	
			DRAW NO. : A1256HA-31P
			REV. AO