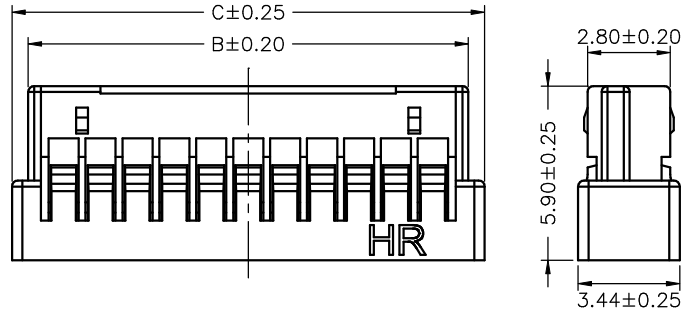
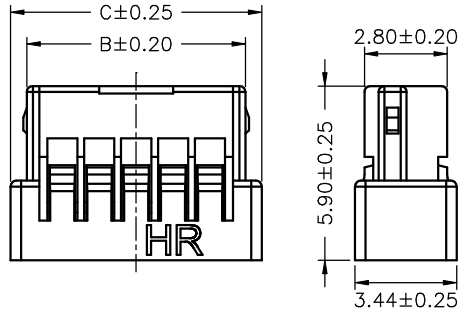
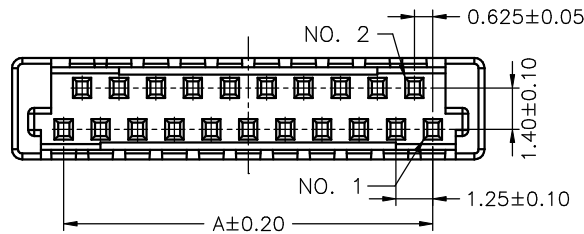
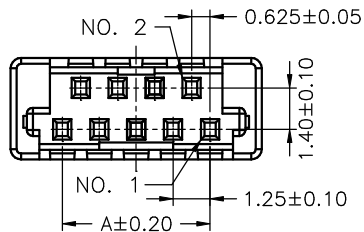


**SPECIFICATIONS**

Current Rating: 1A AC,DC  
 Voltage Rating: 200V AC,DC  
 Temperature Range: -25°C ~ +85°C  
 Contact Resistance: 40mΩ Max.  
 Insulation Resistance: 100MΩ Min.  
 Withstanding Voltage: 500V AC/minute  
 Material: Nylon 66,UL94V-0  
 Color: Black



5,7,9,11 Contacts

13,15,17,19,21,31,41 Contacts

**Ordering Information & Dimensions**

PART NO.	Dimensions		
	A	B	C
A1256H-05P	2.50	4.90	6.00
A1256H-07P	3.75	6.15	7.25
A1256H-09P	5.00	7.40	8.50
A1256H-11P	6.25	8.65	9.75
A1256H-13P	7.50	9.90	11.00
A1256H-15P	8.75	11.15	12.25
A1256H-17P	10.00	12.40	13.50
A1256H-19P	11.25	13.65	14.75
A1256H-21P	12.50	14.90	16.00
A1256H-31P	18.75	21.15	22.25
A1256H-41P	25.00	27.40	28.50

			<b>JOINT TECH ELECTRONIC IND. CO., LTD.</b> <b>JOY DAY INDUSTRIAL CO., LTD.</b>		
UNIT	SCALE	SHEET	TITLE:		
mm		1 of 1	<b>1.25mm PITCH DUAL ROW HOUSING</b>		
DRAWN BY		APPROVED BY			
萧惠凤		董正一			
2003.04.18		2003.04.24			
GENERAL TOLERANCE					
		X. X±0.25	ANGLE±		
B0	NEW RELEASE	2006.05.06	DRAW NO. : A1256H-XP		
REV.	DESCRIPTION	DATE			REV. B0