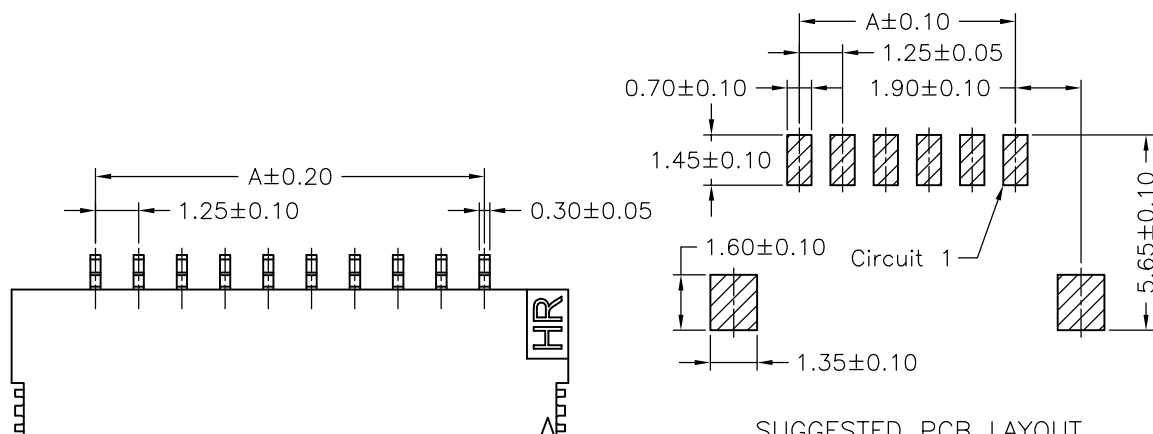


SPECIFICATIONS

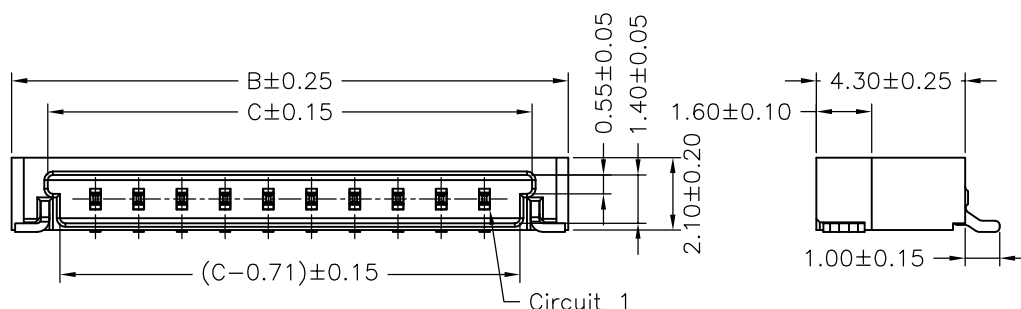
Current Rating: 1A AC,DC
 Voltage Rating: 200V AC,DC
 Temperature Range: -25°C ~ +85°C
 Contact Resistance: 40mΩ Max.
 Insulation Resistance: 100MΩ Min.
 Withstanding Voltage: 500V AC/minute
 Pin Material: Phosphor Bronze/Gold-plated 3u"
 Solder Tabs: Phosphor Bronze/Gold-flash
 Material: Nylon 6T,UL94V-0
 Color: Natural(Beige)

Ordering Information & Dimensions

PART NO.	Dimensions		
	A	B	C
A1255WR-S-02PD02	1.25	6.10	4.01
A1255WR-S-03PD02	2.50	7.35	5.26
A1255WR-S-04PD02	3.75	8.60	6.51
A1255WR-S-05PD02	5.00	9.85	7.76
A1255WR-S-06PD02	6.25	11.10	9.01
A1255WR-S-07PD02	7.50	12.35	10.26
A1255WR-S-08PD02	8.75	13.60	11.51
A1255WR-S-10PD02	11.25	16.10	14.01
A1255WR-S-11PD02	12.50	17.35	15.26
A1255WR-S-12PD02	13.75	18.60	16.51
A1255WR-S-13PD02	15.00	19.85	17.76
A1255WR-S-14PD02	16.25	21.10	19.01
A1255WR-S-15PD02	17.50	22.35	20.26
A1255WR-S-20PD02	23.75	28.60	26.51
A1255WR-S-25PD02	30.00	34.85	32.76
A1255WR-S-30PD02	36.25	41.10	39.01



SUGGESTED PCB LAYOUT
(COMPONENT SIDE)



					JOINT TECH ELECTRONIC IND. CO., LTD. JOY DAY INDUSTRIAL CO., LTD.	
			UNIT	SCALE	SHEET	TITLE:
			mm		1 of 2	1.25mm PITCH 90° WAFER-SMT TYPE, ULTRA LOW PROFILE
			DRAWN BY		APPROVED BY	
			歐陽小強		董正一	
			2006.11.30		2006.11.30	
A3	REVISE	2007.03.03	GENERAL TOLERANCE			DRAW NO. : A1255WR-S-XP02
A2	REVISE	2007.02.05				
A1	REVISE	2006.12.28	X. X±0.25	ANGLE±		
A0	NEW RELEASE	2006.11.30	X. XX±0.15			
REV.	DESCRIPTION	DATE	X. XXX±0.05			REV. A3

