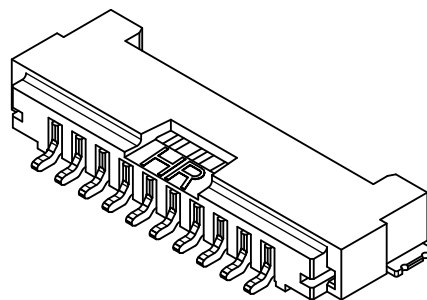


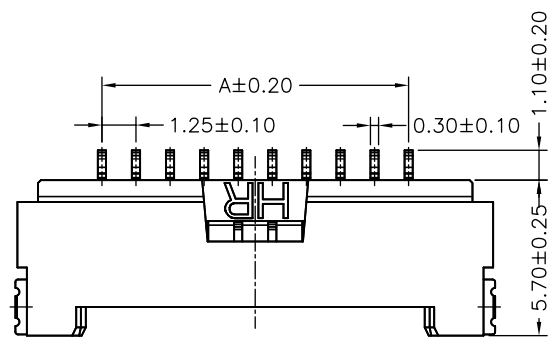
21P~30P
SCALE 0.8:1



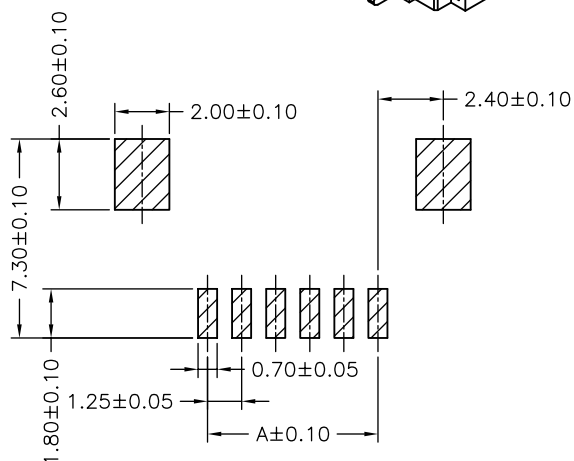
SPECIFICATIONS
 Current Rating: 1A AC,DC
 Voltage Rating: 150V AC,DC
 Temperature Range: -25°C ~ +85°C
 Contact Resistance: 30mΩ Max.
 Insulation Resistance: 500MΩ Min.
 Withstanding Voltage: 500V AC/minute
 Pin Material: Brass/Tin-plated
 Solder Tabs: Brass/Tin-plated
 Material: Nylon 6T,UL94V-0
 Color: Natural(Beige)

Ordering Information & Dimensions

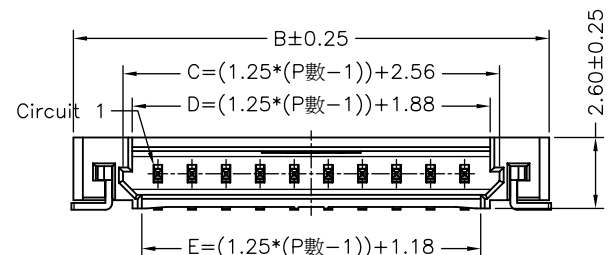
PART NO.	Dimensions	
	A	B
A1253WRA-S-02P	1.25	7.45
A1253WRA-S-03P	2.50	8.70
A1253WRA-S-04P	3.75	9.95
A1253WRA-S-05P	5.00	11.20
A1253WRA-S-06P	6.25	12.45
A1253WRA-S-07P	7.50	13.70
A1253WRA-S-08P	8.75	14.95
A1253WRA-S-09P	10.00	16.20
A1253WRA-S-10P	11.25	17.45
A1253WRA-S-11P	12.50	18.70
A1253WRA-S-12P	13.75	19.95
A1253WRA-S-13P	15.00	21.20
A1253WRA-S-14P	16.25	22.45
A1253WRA-S-15P	17.50	23.70
A1253WRA-S-20P	23.75	29.95
A1253WRA-S-25P	30.00	36.20
A1253WRA-S-30P	36.25	42.45



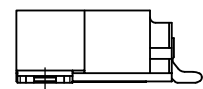
02P~20P



P.C.B. LAYOUT

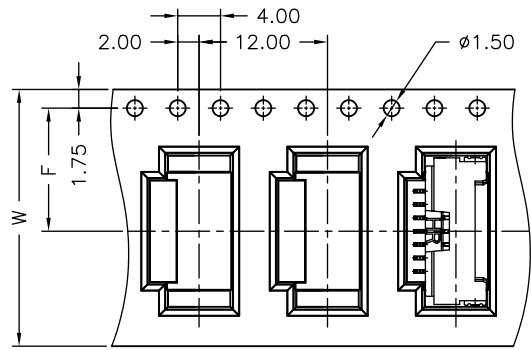


Circuit 1

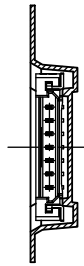
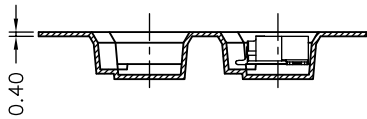


			JOINT TECH ELECTRONIC IND. CO., LTD. JOY DAY INDUSTRIAL CO., LTD.		
		UNIT	SCALE	SHEET	TITLE: 1.25mm PITCH 90° WAFER-SMT TYPE, ULTRA LOW PROFILE, WITHOUT BOSS
		mm		1 of 2	
		DRAWN BY 歐陽小強		APPROVED BY 謝瑞清	
		2007.12.26		2007.12.26	
		GENERAL TOLERANCE			
A3	REVISE	2008.04.21	X.X±0.25	ANGLE±	
A2	REVISE	2008.03.13	X.XX±0.15		
A1	REVISE	2008.01.25	X.XXX±0.05		
A0	NEW RELEASE	2007.12.26			
REV.	DESCRIPTION	DATE			
			DRAW NO. : A1253WRA-S-XP		REV. A3

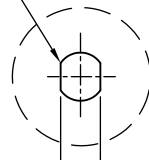
02~07 Contacts



Unreeling direction →

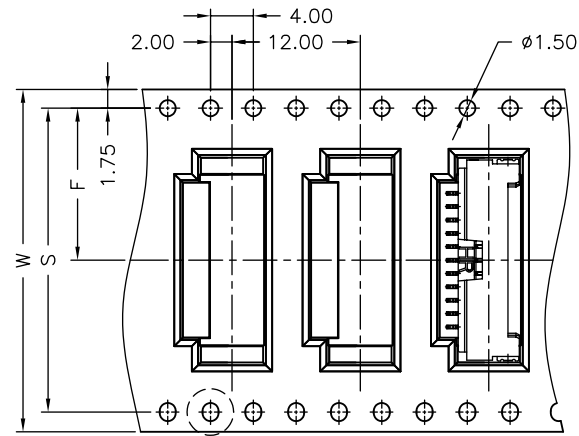


R0.85

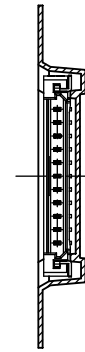
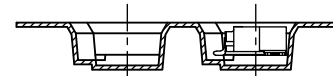


1.50^{+0.10}₋₀

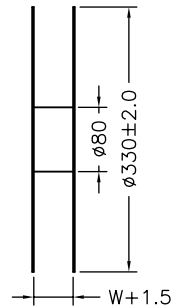
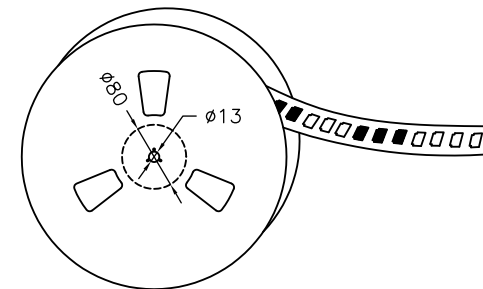
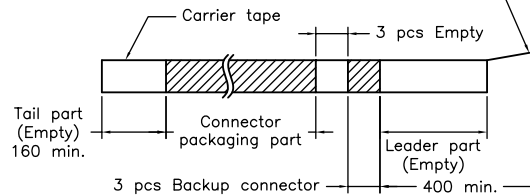
08~30 Contacts



Unreeling direction →



Top tape leader part



Number of Contacts	W±0.3	F±0.1	S±0.1	Q'ty/Reel
02P	16	7.50	/	1,000
03P	24	7.50		1,000
04P	24	11.50		1,000
05P	24	11.50		1,000
06P	24	11.50		1,000
07P	24	11.50		1,000
08P	32	14.20		28.40
09P	32	14.20	28.40	1,000
10P	32	14.20	28.40	1,000
11P	32	14.20	28.40	1,000
12P	32	14.20	28.40	1,000
13P	44	14.20	28.40	1,000
14P	44	20.20	40.40	1,000
15P	44	20.20	40.40	1,000
20P	44	20.20	40.40	1,000
25P	56	26.20	52.40	1,000
30P	56	26.20	52.40	1,000

					JOINT TECH ELECTRONIC IND. CO., LTD. JOY DAY INDUSTRIAL CO., LTD.	
			UNIT	SCALE	SHEET	
			mm		2 of 2	
			DRAWN BY		APPROVED BY	
			歐陽小強		謝瑞清	
			2007.12.26		2007.12.26	
			GENERAL TOLERANCE			
A3	REVISE	2008.04.21	X. X±0.25		ANGLE±	
A2	REVISE	2008.03.13	X. XX±0.15			
A1	REVISE	2008.01.25	X. XXX±0.05			
A0	NEW RELEASE	2007.12.26				
REV.	DESCRIPTION	DATE				
			DRAW NO. : A1253WRA-S-XP			REV. A3

TITLE:
 1.25mm PITCH
 90° WAFER-SMT TYPE,
 WITHOUT BOSS
 TAPING SPEC.