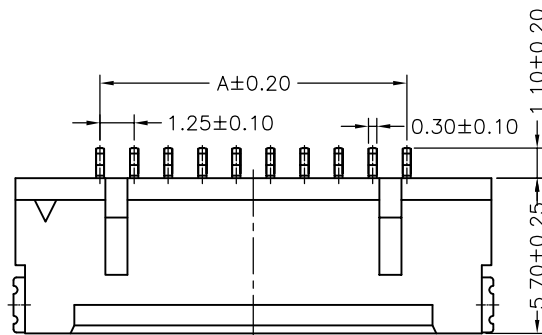
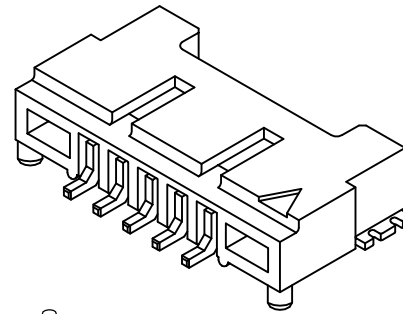
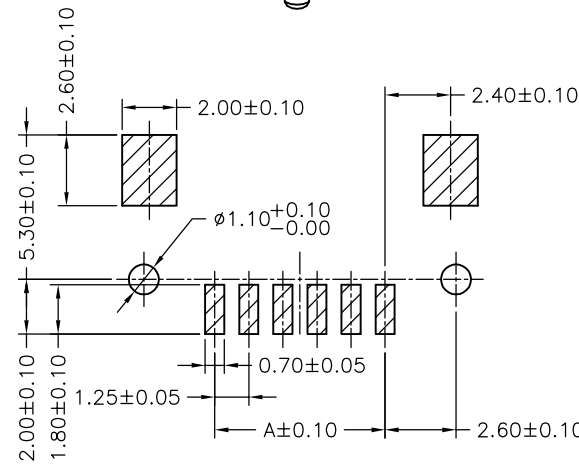


02P

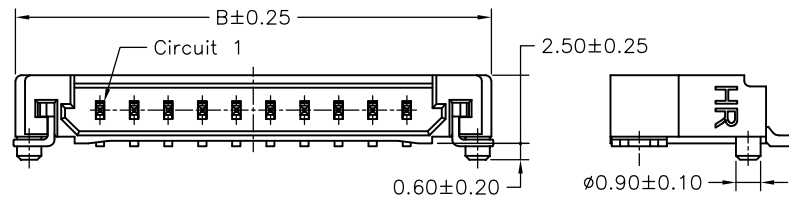
03P



04P~30P



P.C.B. LAYOUT



SPECIFICATIONS

Current Rating: 1A AC,DC
 Voltage Rating: 150V AC,DC
 Temperature Range: $-25^{\circ}\text{C} \sim +85^{\circ}\text{C}$
 Contact Resistance: 30m Ω Max.
 Insulation Resistance: 500M Ω Min.
 Withstanding Voltage: 500V AC/minute
 Pin Material: Brass/Tin-plated
 Solder Tabs: Brass/Tin-plated
 Material: Nylon 6T,UL94V-0
 Color: Natural(Beige)

Ordering Information & Dimensions

PART NO.	Dimensions	
	A	B
A1253WR-SF-02P	1.25	7.45
A1253WR-SF-03P	2.50	8.70
A1253WR-SF-04P	3.75	9.95
A1253WR-SF-05P	5.00	11.20
A1253WR-SF-06P	6.25	12.45
A1253WR-SF-07P	7.50	13.70
A1253WR-SF-08P	8.75	14.95
A1253WR-SF-09P	10.00	16.20
A1253WR-SF-10P	11.25	17.45
A1253WR-SF-11P	12.50	18.70
A1253WR-SF-12P	13.75	19.95
A1253WR-SF-13P	15.00	21.20
A1253WR-SF-14P	16.25	22.45
A1253WR-SF-15P	17.50	23.70
A1253WR-SF-20P	23.75	29.95
A1253WR-SF-25P	30.00	36.20
A1253WR-SF-30P	36.25	42.45

				UNIT	SCALE	SHEET	TITLE:
				mm		1 of 2	
		DRAWN BY	APPROVED BY				
		李勤	董正一				
		2005.12.08	2005.12.08				
		GENERAL TOLERANCE					
A1	REVISE	2007.01.03	X.X \pm 0.25	ANGLE \pm			
A0	NEW RELEASE	2005.12.08	X.XX \pm 0.15				
REV.	DESCRIPTION	DATE	X.XXX \pm 0.05				
					DRAW NO.:		REV.
					A1253WR-SF-XP		A1

