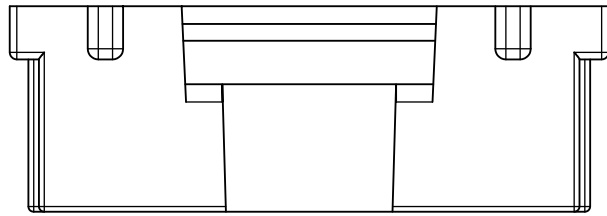
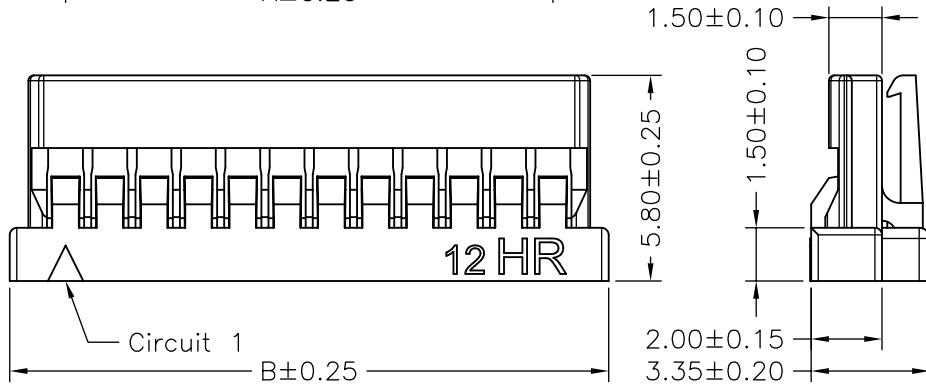
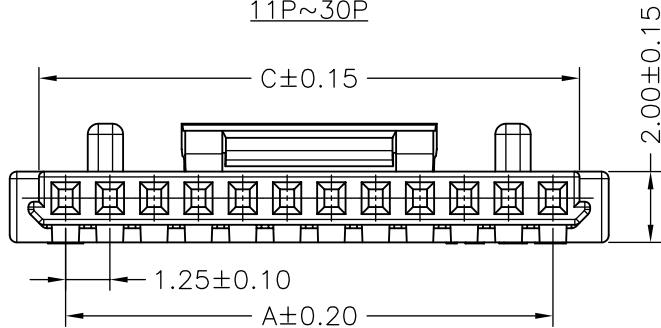
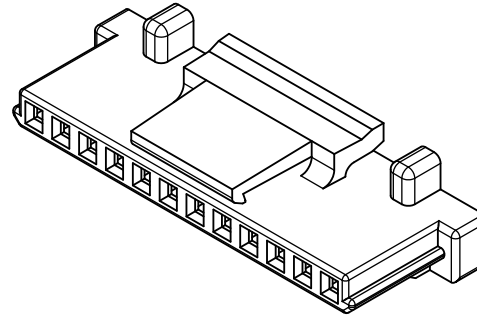


02P~10P



11P~30P


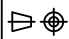


SPECIFICATIONS

Current Rating: 1A AC,DC
 Voltage Rating: 150V AC,DC
 Temperature Range: -25°C ~ +85°C
 Contact Resistance: 30mΩ Max.
 Insulation Resistance: 500MΩ Min.
 Withstanding Voltage: 500V AC/minute
 Material: Nylon 66,UL94V-0
 Color: Natural(White)

Ordering Information & Dimensions

PART NO.	Dimensions		
	A	B	C
A1253HA-02P	1.25	4.40	2.75
A1253HA-03P	2.50	5.65	4.00
A1253HA-04P	3.75	6.90	5.25
A1253HA-05P	5.00	8.15	6.50
A1253HA-06P	6.25	9.40	7.75
A1253HA-07P	7.50	10.65	9.00
A1253HA-08P	8.75	11.90	10.25
A1253HA-09P	10.00	13.15	11.50
A1253HA-10P	11.25	14.40	12.75
A1253HA-11P	12.50	15.65	14.00
A1253HA-12P	13.75	16.90	15.25
A1253HA-13P	15.00	18.15	16.50
A1253HA-14P	16.25	19.40	17.75
A1253HA-15P	17.50	20.65	19.00
A1253HA-20P	23.75	26.90	25.25
A1253HA-25P	30.00	33.15	31.50
A1253HA-30P	36.25	39.40	37.75

				JOINT TECH ELECTRONIC IND. CO., LTD. JOY DAY INDUSTRIAL CO., LTD.	
		UNIT	SCALE	SHEET	TITLE:
		mm		1 of 1	1.25mm PITCH HOUSING-LOCK TYPE
		DRAWN BY	APPROVED BY		
		歐陽小強 2007.12.23	謝瑞清 2007.12.23		
		GENERAL TOLERANCE			
		X. X±0.25	ANGLE±		DRAW NO. : A1253HA-XP
A0	NEW RELEASE	2007.12.23			
REV.	DESCRIPTION	DATE			
			X. XX±0.15		REV. AO
			X. XXX±0.05		