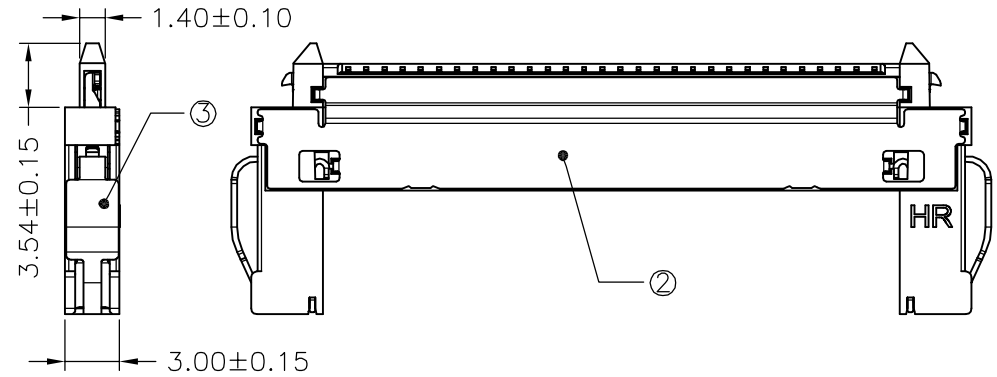
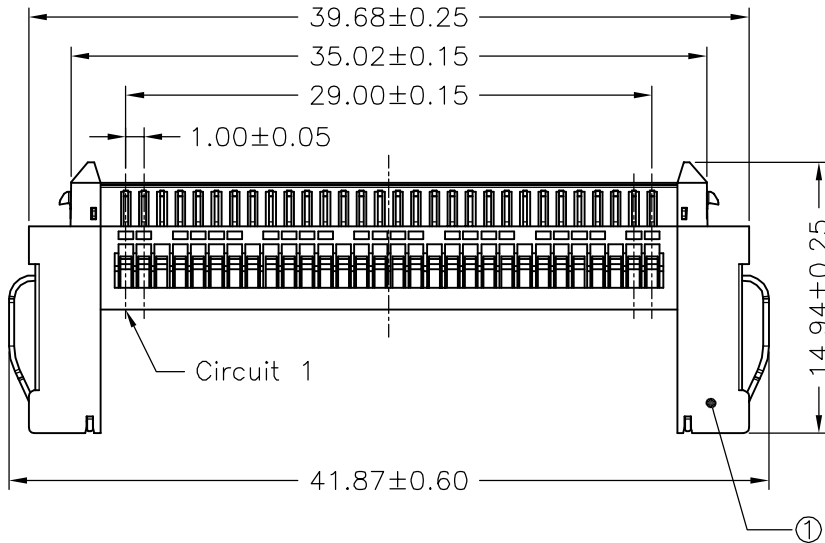
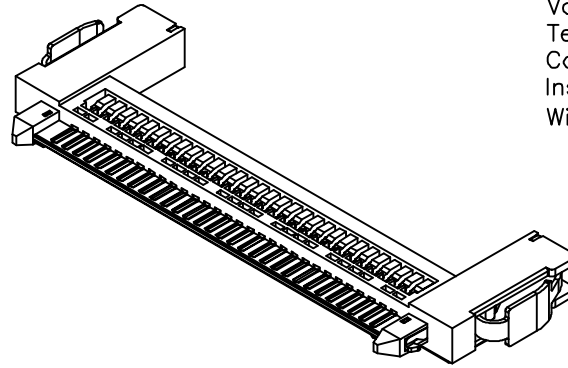


SPECIFICATIONS  
 Current Rating: 1A AC,DC  
 Voltage Rating: 200V AC,DC  
 Temperature Range: -25°C ~ +85°C  
 Contact Resistance: 40mΩ Max.  
 Insulation Resistance: 100MΩ Min.  
 Withstanding Voltage: 500V AC/minute



No.	Description	Material	Color
1	Insulator	Nylon 46,UL94V-0	Natural(Black)
2	Ground plate	Stainless	---
3	Lock lever	Stainless	---

		UNIT	SCALE
		mm	1 of 1
		DRAWN BY	APPROVED BY
		歐陽小強	董正一
		2007.04.05	2007.04.05
		GENERAL TOLERANCE	
		X. X±0.25	ANGLE±
		X. XX±0.15	
		X. XXX±0.05	
AO	NEW RELEASE	2007.04.05	TITLE:  P/N: A1012H-30P 1.00mm PITCH HOUSING-LOCK TYPE
REV.	DESCRIPTION	DATE	
			DRAW NO. : A1012H-30P
			REV. AO