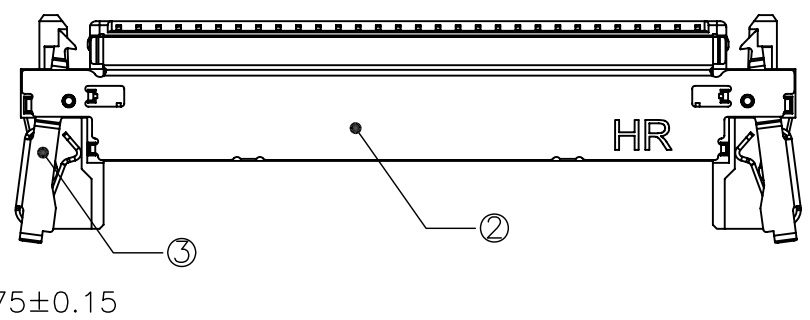
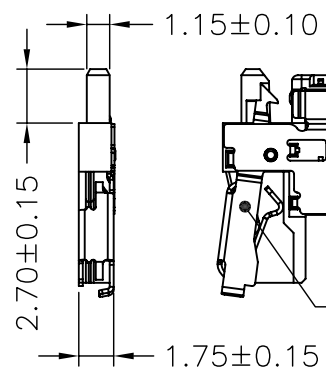
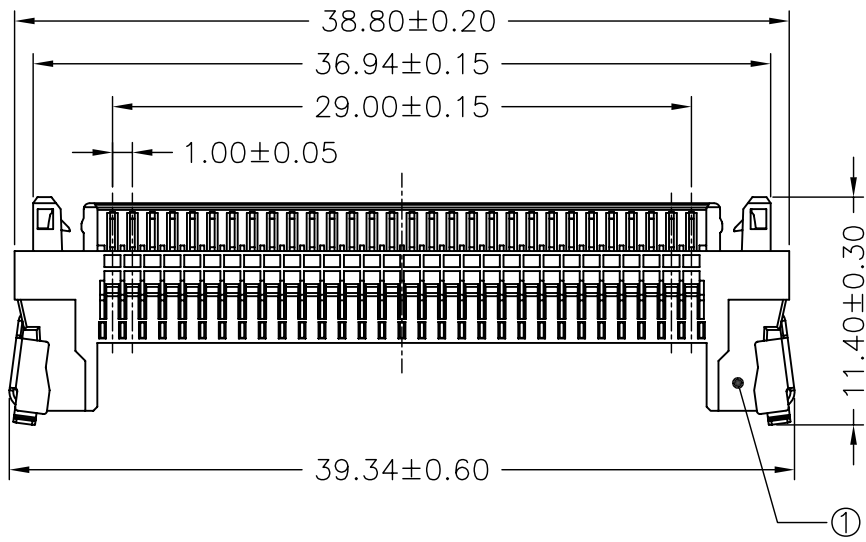
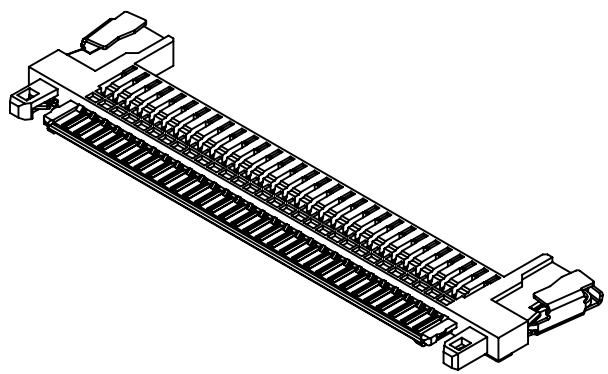



SPECIFICATIONS  
 Current Rating: 1A AC,DC  
 Voltage Rating: 200V AC,DC  
 Temperature Range: -25°C ~ +85°C  
 Contact Resistance: 40mΩ Max.  
 Insulation Resistance: 100MΩ Min.  
 Withstanding Voltage: 500V AC/minute



No.	Description	Material	Color
1	Insulator	Nylon 46,UL94V-0	Natural(Beige)
2	Ground plate	Stainless	---
3	Lock lever	Stainless	---

				JOINT TECH ELECTRONIC IND. CO., LTD. JOY DAY INDUSTRIAL CO., LTD.		
UNIT	SCALE	SHEET	TITLE:			
mm		1 of 1	P/N: A1008H-30P 1.00mm PITCH HOUSING			
DRAWN BY		APPROVED BY				
歐陽小強		董正一				
2006.06.21		2006.06.21				
GENERAL TOLERANCE						
	X. X±0.25	ANGLE±				
A0	NEW RELEASE	2006.06.21	X. XX±0.15	DRAW NO. : A1008H-30P		
REV.	DESCRIPTION	DATE	X. XXX±0.05			REV. A0