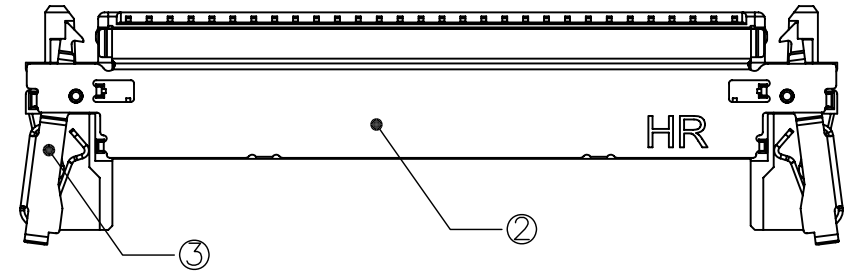
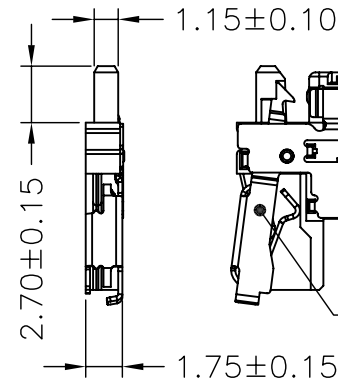
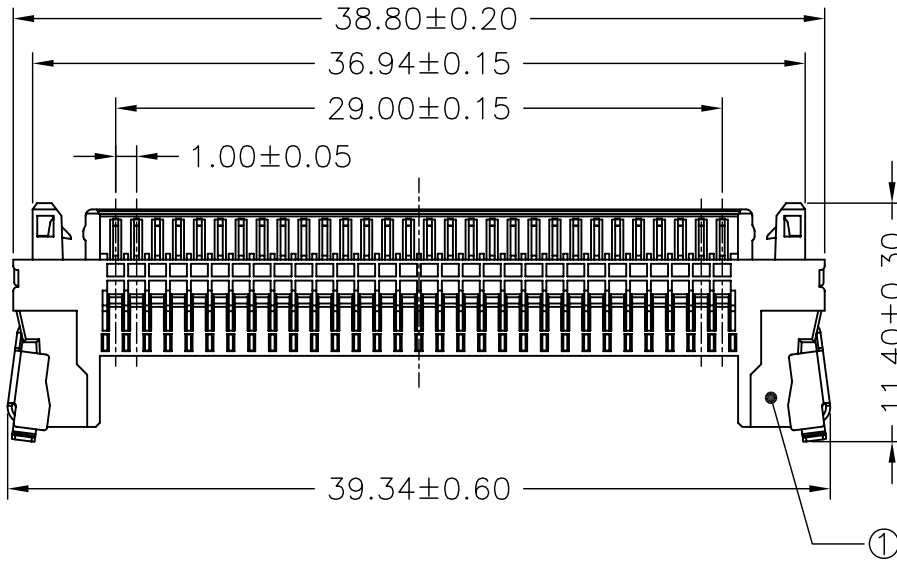
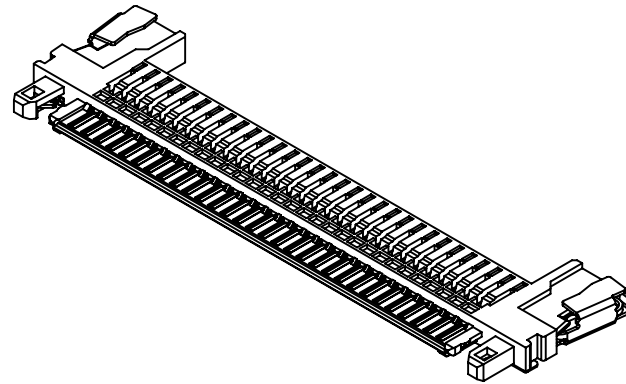


**SPECIFICATIONS**

Current Rating: 1A AC,DC  
 Voltage Rating: 200V AC,DC  
 Temperature Range: -25°C ~ +85°C  
 Contact Resistance: 40mΩ Max.  
 Insulation Resistance: 100MΩ Min.  
 Withstanding Voltage: 500V AC/minute



No.	Description	Material	Color
1	Insulator	Nylon 46,UL94V-0	Natural(Beige)
2	Ground plate	Stainless	---
3	Lock lever	Stainless	---

		UNIT	SCALE
		mm	1 of 1
		DRAWN BY	APPROVED BY
		歐陽小強	董正一
		2006.06.21	2006.06.21
		GENERAL TOLERANCE	
A1	EN1004080152	2010.04.07	X.X±0.25
A0	NEW RELEASE	2006.06.21	X.XX±0.15
REV.	DESCRIPTION	DATE	X.XXX±0.05
		ANGLE±	
		TITLE:	
		P/N:A1008H-30P	
		1.00mm PITCH	
		HOUSING	
		DRAW NO. : A1008H-30P	
		REV. A1	