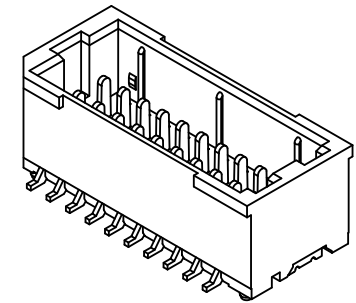
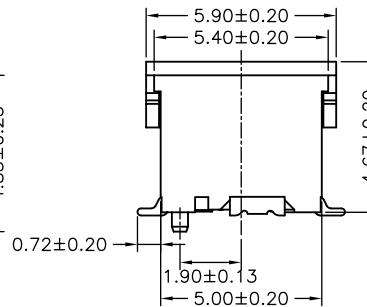


PCB LAYOUT



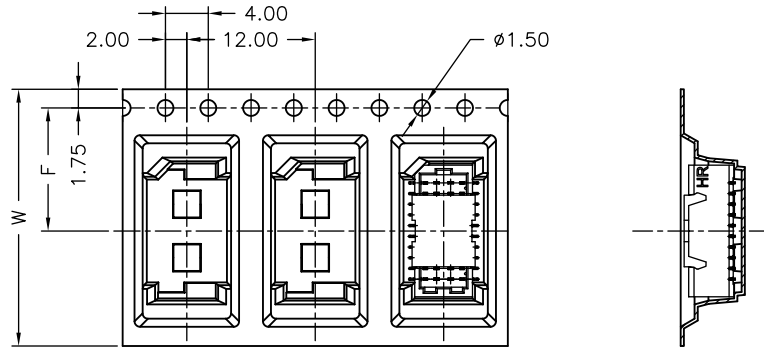
**SPECIFICATIONS**  
 Current Rating: 1A AC,DC  
 Voltage Rating: 50V AC,DC  
 Temperature Range: -25°C ~ +85°C  
 Contact Resistance: 20mΩ Max.  
 Insulation Resistance: 100MΩ Min.  
 Withstanding Voltage: 500V AC/minute  
 Pin Material: Phosphor Bronze/Gold-flash  
 Solder Tabs: Brass/Tin-plated  
 Wafer: Nylon 6T,UL94V-0  
 Cap: Nylon 6T,UL94V-0,Natural(Beige)  
 Color: Natural(Beige)

Ordering Information & Dimensions

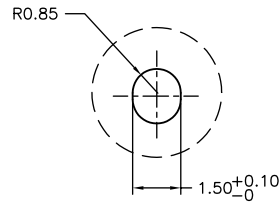
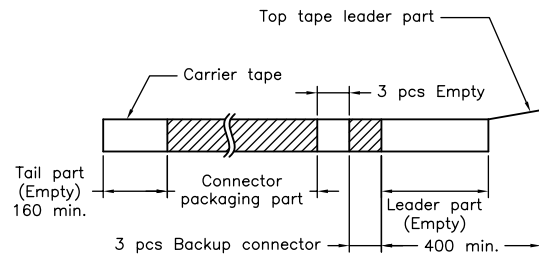
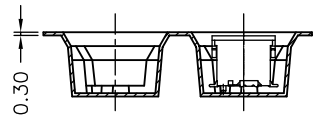
PART NO.	Dimensions	
	A	B
A1001WV-SF-2X06P	5.00	8.30
A1001WV-SF-2X08P	7.00	10.30
A1001WV-SF-2X10P	9.00	12.30
A1001WV-SF-2X15P	14.00	17.30
A1001WV-SF-2X20P	19.00	22.30
A1001WV-SF-2X25P	24.00	27.30

			<b>JOINT TECH ELECTRONIC IND. CO., LTD.</b> <b>JOY DAY INDUSTRIAL CO., LTD.</b>		
		UNIT	SCALE	SHEET	TITLE:
		mm		1 of 2	
		DRAWN BY	APPROVED BY		<b>1.00mm PITCH</b> <b>180° WAFER-SMT TYPE,</b> <b>DUAL ROW</b>
		董正一	董正一		
		2003.04.02	2003.04.02		
		GENERAL TOLERANCE			
B2	REVISE	2008.05.06			DRAW NO. : A1001WV-SF-2XNP
B1	REVISE	2007.04.25	X. X±0.25	ANGLE±	
B0	NEW RELEASE	2006.04.14	X. XX±0.15		
REV.	DESCRIPTION	DATE	X. XXX±0.05		REV. B2

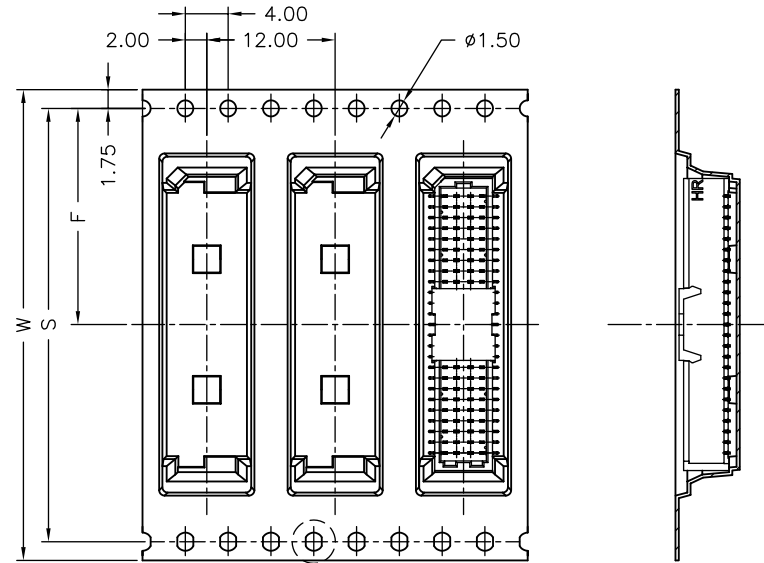
## 2X06~2X10 Contacts



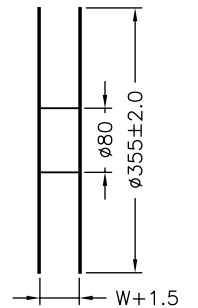
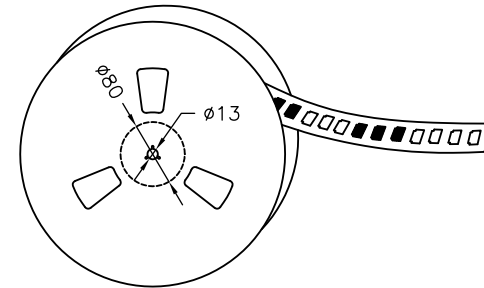
Unreeling direction →



## 2X15~2X25 Contacts



Unreeling direction →



Number of Contacts	W±0.3	F±0.1	S±0.1	Q'ty/Reel
2X06P	24	11.50	/	1,000
2X08P	24	11.50		1,000
2X10P	24	11.50		1,000
2X15P	32	14.20	28.40	1,000
2X20P	44	20.20	40.40	1,000
2X25P	44	20.20	40.40	1,000

		UNIT	SCALE	SHEET
		mm		2 of 2
		DRAWN BY	APPROVED BY	
		董正一	董正一	
		2004.11.16	2004.11.16	
GENERAL TOLERANCE				
		X. X±0.25	ANGLE±	
		X. XX±0.15		
		X. XXX±0.05		
BO	NEW RELEASE	2006.04.14		
REV.	DESCRIPTION	DATE		
			TITLE:	
			1.00mm PITCH 180° DUAL ROW WAFER- SMT TYPE TAPING SPEC.	
			DRAW NO. :	REV.
			A1001WV-SF-2XNP	BO