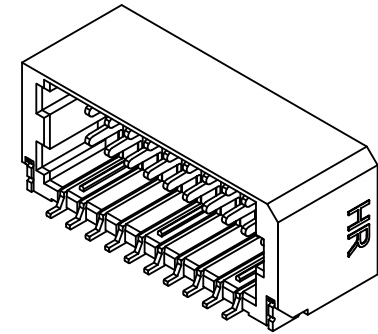


PCB LAYOUT

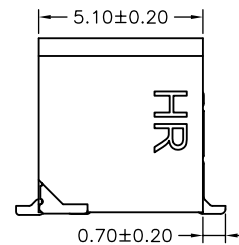


SPECIFICATIONS

Current Rating: 1A AC,DC  
 Voltage Rating: 50V AC,DC  
 Temperature Range: -25°C ~ +85°C  
 Contact Resistance: 20mΩ Max.  
 Insulation Resistance: 100MΩ Min.  
 Withstanding Voltage: 500V AC/minute  
 Pin Material: Phosphor Bronze/Gold-flash  
 Solder Tabs: Brass/Tin-plated  
 Material: Nylon 6T,UL94V-0  
 Color: Natural(Beige)

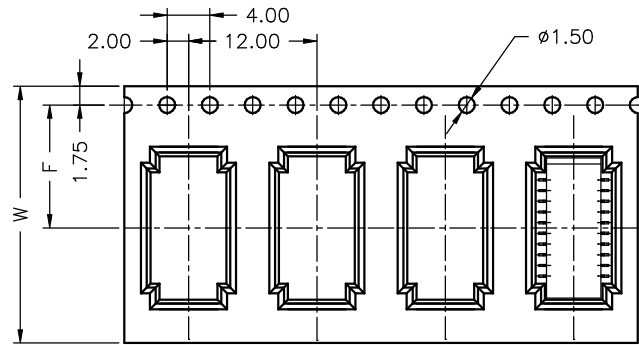
Ordering Information & Dimensions

PART NO.	Dimensions	
	A	B
A1001WR-S-2X06P	5.00	9.10
A1001WR-S-2X08P	7.00	11.10
A1001WR-S-2X10P	9.00	13.10
A1001WR-S-2X15P	14.00	18.10
A1001WR-S-2X20P	19.00	23.10
A1001WR-S-2X25P	24.00	28.10

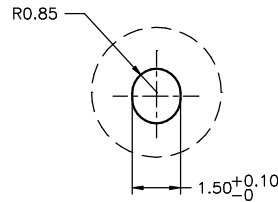
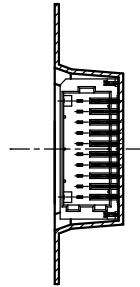
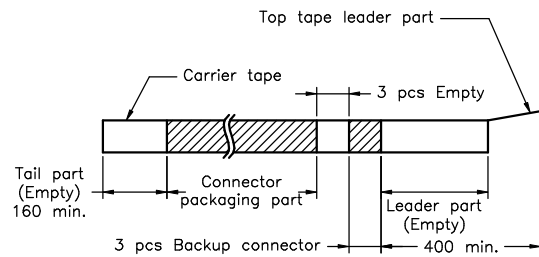
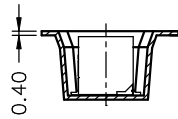


			<b>JOINT TECH ELECTRONIC IND. CO., LTD.</b> <b>JOY DAY INDUSTRIAL CO., LTD.</b>	
UNIT	SCALE	SHEET	TITLE:  <b>1.00mm PITCH</b> <b>90° WAFER-SMT TYPE,</b> <b>DUAL ROW</b>	
mm		1 of 2		
DRAWN BY		APPROVED BY		DRAW NO. : A1001WR-S-2XNP
董正一		董正一		
2003.06.19		2003.06.19		
REV. B2		GENERAL TOLERANCE		
REV. B1	REVISE	2008.05.06	ANGLE± 	
REV. B0	NEW RELEASE	2006.04.14		
REV.	DESCRIPTION	DATE		
			X.X±0.25	
			X.XX±0.15	
			X.XXX±0.05	
				REV. B2

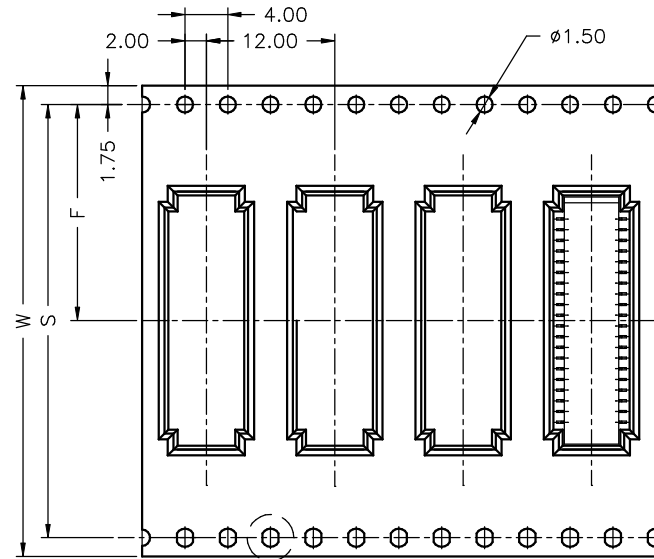
## 2X06~2X10 Contacts



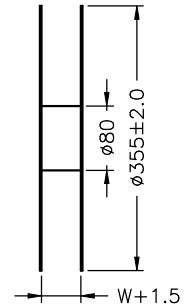
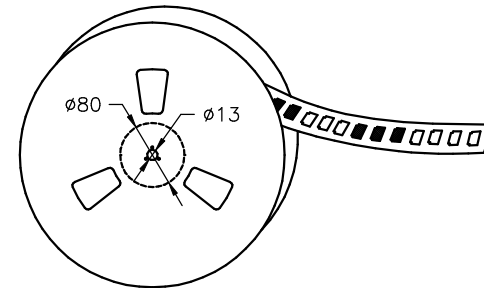
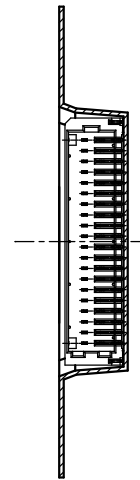
Unreeling direction →



## 2X15~2X25 Contacts



Unreeling direction →



Number of Contacts	W±0.3	F±0.1	S±0.1	Q'ty/Reel
2X06P	24	11.50	/	1,000
2X08P	24	11.50		1,000
2X10P	24	11.50		1,000
2X15P	32	14.20	28.40	1,000
2X20P	44	20.20	40.40	1,000
2X25P	44	20.20	40.40	1,000

			UNIT	SCALE
			mm	2 of 2
			DRAWN BY	APPROVED BY
			董正一	董正一
			2004.11.15	2004.11.15
GENERAL TOLERANCE				
			X. X±0.25	ANGLE±
			X. XX±0.15	
			X. XXX±0.05	
B0	NEW RELEASE	2006.04.14		
REV.	DESCRIPTION	DATE		
			TITLE:	
			1.00mm PITCH 90° DUAL ROW WAFER- SMT TYPE TAPING SPEC.	
			DRAW NO. :	
			A1001WR-S-2XNP	
			REV. B0	