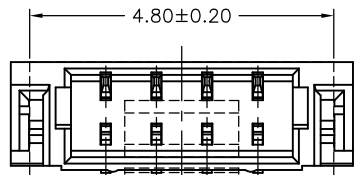


Ordering code

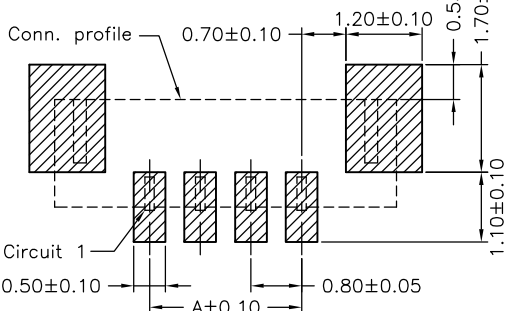
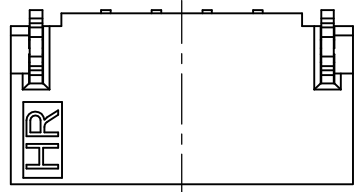
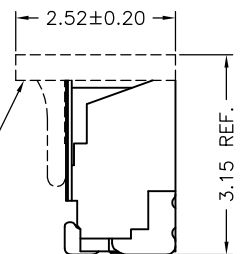
A0800 **WV-S-XP** **XXX**
 ① ② ③ ④ ⑤

① Series No.
 ② Connector type: WV=Vertical
 ③ Mounting type: S=SMT without boss
 ④ No. of circuits
 ⑤ Option code:
 Blank=Contacts/Matte Tin-plated and
 Solder tabs/Matte Tin-plated
 D01=Contacts/Gold-flash and
 Solder tabs/Gold-flash

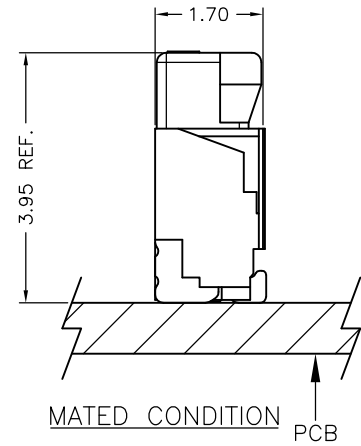
SPECIFICATIONS
 Current Rating: 0.5A AC,DC
 Voltage Rating: 30V AC,DC
 Temperature Range: -25°C ~ +85°C
 Contact Resistance: 20mΩ Max.
 Insulation Resistance: 100MΩ Min.
 Withstanding Voltage: 200V AC/minute
 Pin Material: Phosphor Bronze/
 Matte Tin-plated or Gold-flash
 Solder Tabs: Phosphor Bronze/
 Matte Tin-plated or Gold-flash
 Material: Nylon 6T,UL94V-0
 Cap: Nylon 6T,UL94V-0,Natural(Beige)
 Color: Natural(Beige)



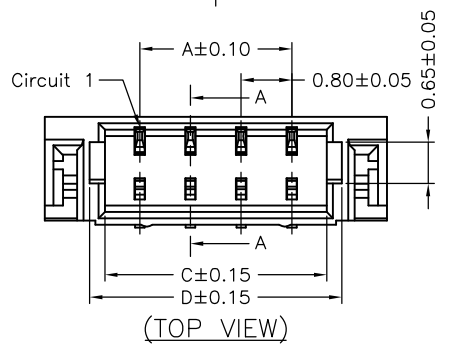
CAP
 (FOR PICK AND
 PLACE SYSTEMS)



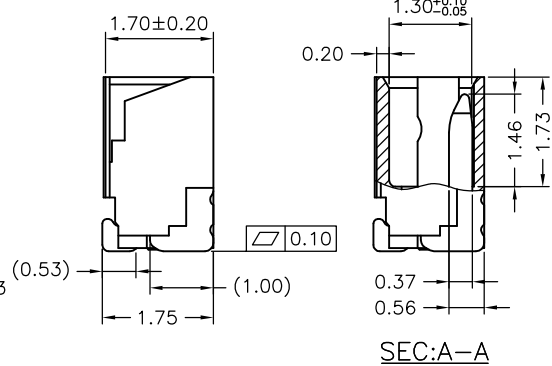
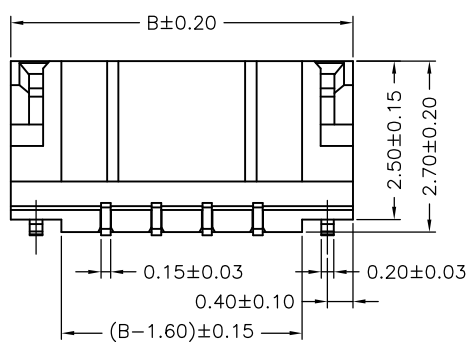
P.C.B. LAYOUT
 (TOP VIEW)



Circuit No.	Dimensions			
	A	B	C	D
02P	0.80	3.80	1.90	2.38
03P	1.60	4.60	2.70	3.18
04P	2.40	5.40	3.50	3.98
05P	3.20	6.20	4.30	4.78
06P	4.00	7.00	5.10	5.58
07P	4.80	7.80	5.90	6.38
08P	5.60	8.60	6.70	7.18
10P	7.20	10.20	8.30	8.78
12P	8.80	11.80	9.90	10.38
14P	10.40	13.40	11.50	11.98
15P	11.20	14.20	12.30	12.78
16P	12.00	15.00	13.10	13.58
17P	12.80	15.80	13.90	14.38
20P	15.20	18.20	16.30	16.78



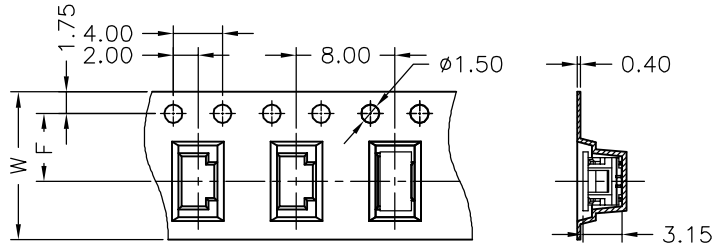
(TOP VIEW)



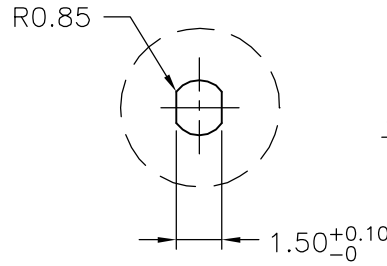
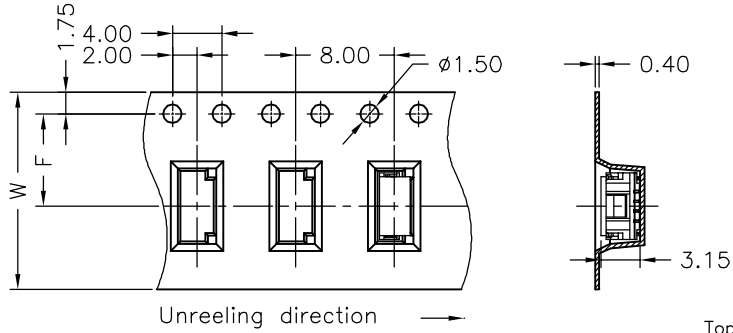
SEC:A-A

			燦達電子工業股份有限公司 JOINT TECH ELECTRONIC IND. CO., LTD.		
		UNIT	SCALE	SHEET	TITLE:
		mm		1 of 2	
B4	ECN NO. EN1001180043	2010.01.18	DRAWN BY	APPROVED BY	0.80mm PITCH 180° WAFER-SMT TYPE
B3	ECN NO. EN1001040002	2010.01.04	李勤	董正一	
B2	REVISE	2009.04.01	2006.02.07	2006.02.07	
B1	REVISE	2009.03.19	GENERAL TOLERANCE		
B0	REVISE	2008.11.26	X. X±0.25	ANGLE±	
REV.	DESCRIPTION	DATE	X. XX±0.15	X. XXX±0.05	DRAW NO. : A0800WV-S-XP
					REV. B4

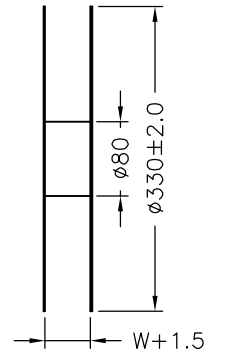
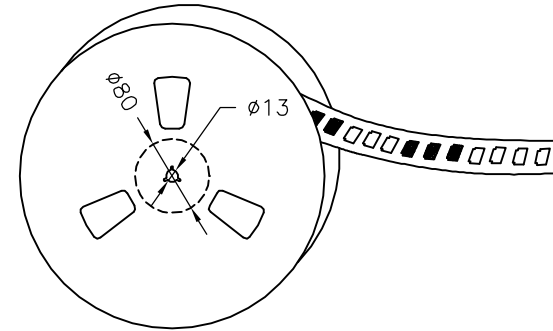
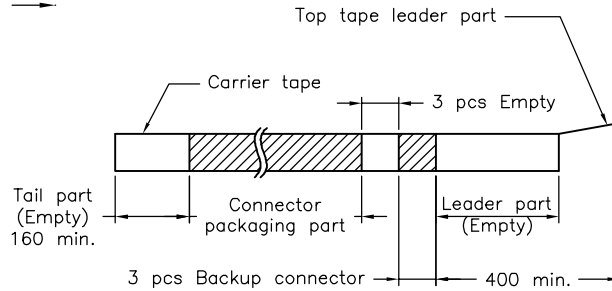
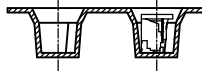
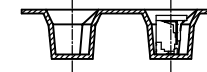
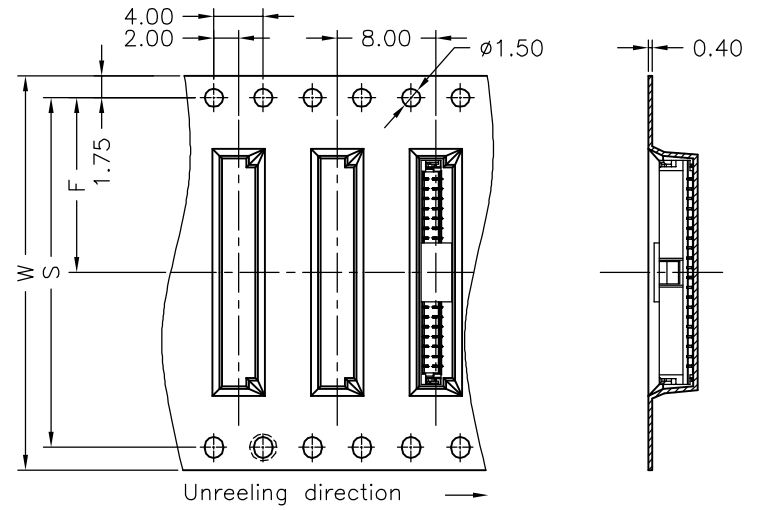
02~03 Contacts



04~17 Contacts



20 Contacts



Number of Contacts	W±0.3	F±0.1	S±0.1	Q'ty/Reel	
02P	16	7.50	/	2,000	
03P	16	7.50		2,000	
04P	16	7.50		2,000	
05P	16	7.50		2,000	
06P	16	7.50		2,000	
07P	16	7.50		2,000	
08P	24	11.50		2,000	
10P	24	11.50		2,000	
12P	24	11.50		2,000	
14P	24	11.50		2,000	
15P	24	11.50		2,000	
16P	24	11.50		2,000	
17P	24	11.50		2,000	
20P	32	14.20		28.40	2,000

NOTE:
Material: Transparent
Anti-static Polystyrene.

			燦達電子工業股份有限公司 JOINT TECH ELECTRONIC IND. CO., LTD.			
B0	ECN NO. EN1001040002	2010. 01. 04	UNIT	SCALE	SHEET	TITLE:
A5	ECN NO. EN0908140381	2009. 08. 14	mm		2 of 2	0.80mm PITCH 180° WAFER-SMT TYPE, TAPING SPEC.
A4	REVISE	2008. 11. 26	DRAWN BY 歐陽小強		APPROVED BY 董正一	
A3	REVISE	2008. 04. 08	2006. 09. 25		2006. 09. 25	
A2	REVISE	2007. 10. 12	GENERAL TOLERANCE			
A1	REVISE	2007. 07. 26	X. XX±0. 25	ANGLE±		
A0	NEW RELEASE	2006. 09. 25	X. XX±0. 15	DRAW NO. :		REV. B0
REV.	DESCRIPTION	DATE	X. XXX±0. 05	A0800WV-S-XP		