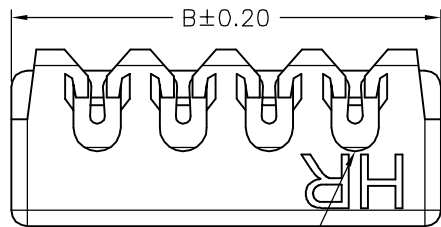
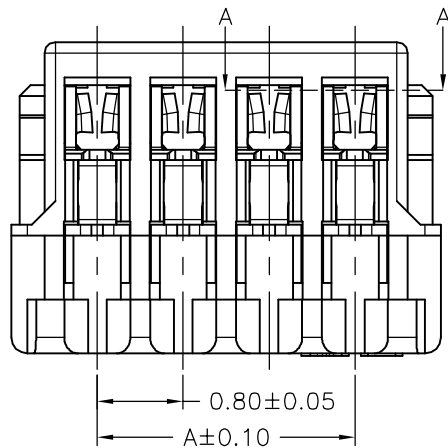
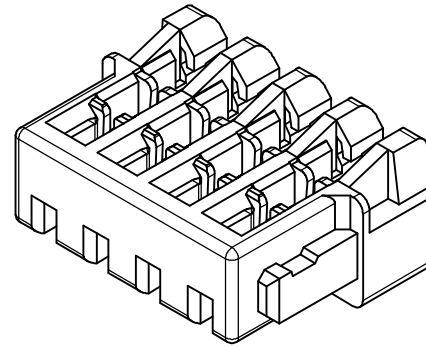
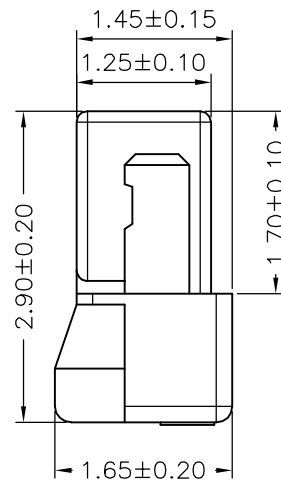


SEC:A-A



Circuit 1



SPECIFICATIONS

Current Rating: 0.5A AC,DC
 Voltage Rating: 30V AC,DC
 Temperature Range: -25°C ~ +85°C
 Contact Resistance: 20mΩ Max.
 Insulation Resistance: 100MΩ Min.
 Withstanding Voltage: 200V AC/minute
 Contacts: Phosphor Bronze/Tin-plated
 Material: Nylon 46,UL94V-0
 Color: Natural(Beige)

Ordering Information & Dimensions

PART NO.	Dimensions	
	A	B
A0800HI-02P	0.80	2.40
A0800HI-03P	1.60	3.20
A0800HI-04P	2.40	4.00
A0800HI-05P	3.20	4.80
A0800HI-06P	4.00	5.60
A0800HI-07P	4.80	6.40
A0800HI-08P	5.60	7.20
A0800HI-09P	6.40	8.00
A0800HI-10P	7.20	8.80
A0800HI-12P	8.80	10.40
A0800HI-14P	10.40	12.00
A0800HI-15P	11.20	12.80
A0800HI-16P	12.00	13.60
A0800HI-17P	12.80	14.40
A0800HI-20P	15.20	16.80

NOTES:

Applicable Wire: AWG#32
 Insulation O.D.: 0.38mm

						JOINT TECH ELECTRONIC IND. CO., LTD. JOY DAY INDUSTRIAL CO., LTD.	
				UNIT	SCALE	SHEET	TITLE:
				mm		1 of 1	
A5	REVISE	2009.05.25		DRAWN BY	APPROVED BY	0.80mm PITCH I. D. C. HOUSING	
A4	REVISE	2008.05.09		李勤	董正一		
A3	REVISE	2008.03.31		2006.02.07	2006.02.07		
A2	REVISE	2007.11.13		GENERAL TOLERANCE			
A1	REVISE	2006.04.15		X. X±0.25	ANGLE±		
A0	NEW RELEASE	2006.02.07		X. XX±0.15		DRAW NO. : A0800HI-XP	
REV.	DESCRIPTION	DATE		X. XXX±0.05			