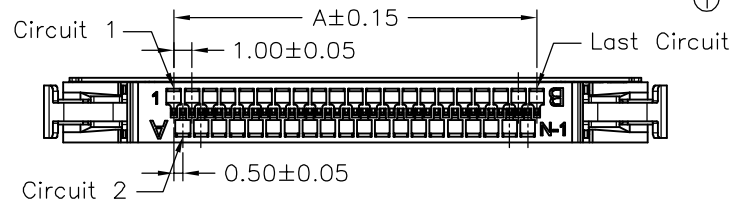
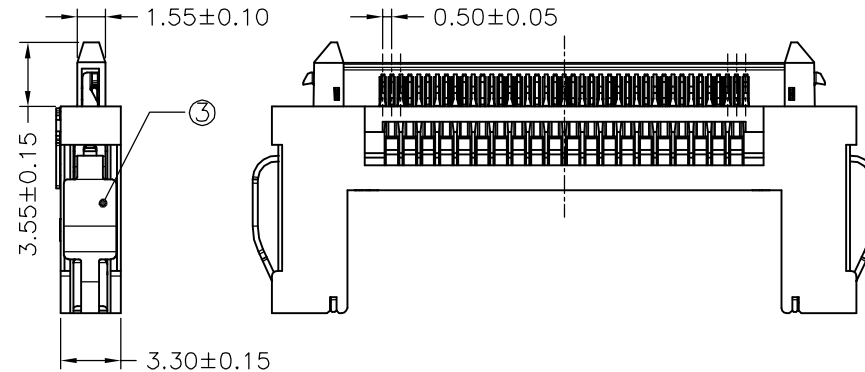
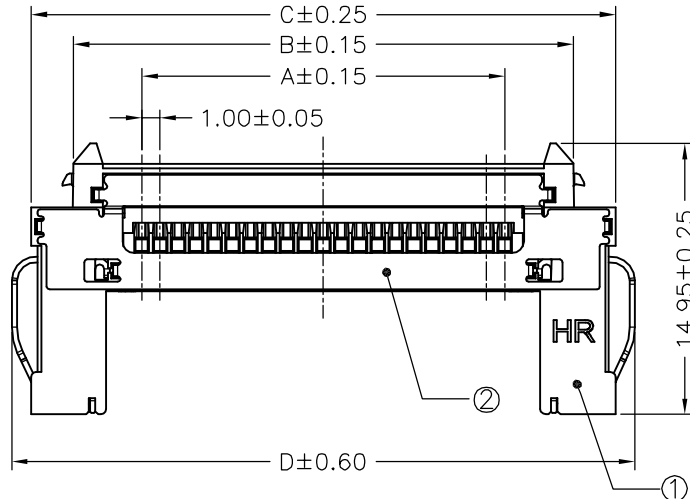


**SPECIFICATIONS**  
 Current Rating: 0.7A AC,DC  
 Voltage Rating: 100V AC,DC  
 Temperature Range: -25°C ~ +85°C  
 Contact Resistance: 50mΩ Max.  
 Insulation Resistance: 100MΩ Min.  
 Withstanding Voltage: 500V AC/minute

**Ordering Information & Dimensions**

PART NO.	Dimensions			
	A	B	C	D
A0505H-21P	10.00	17.54	22.20	24.34
A0505H-31P	15.00	22.54	27.20	29.34
A0505H-41P	20.00	27.54	32.20	34.34
A0505H-51P	25.00	32.54	37.20	39.34



No.	Description	Material	Color
1	Insulator	Nylon 46,UL94V-0	Natural(Black)
2	Ground plate	Stainless	---
3	Lock lever	Stainless	---

UNIT	SCALE	SHEET	TITLE:
mm		1 of 1	0.50mm PITCH HOUSING-LOCK TYPE
DRAWN BY 李勤 2007.05.16		APPROVED BY 謝瑞清 2007.05.16	
GENERAL TOLERANCE			
A1	REVISE	2007.12.04	X.X±0.25
A0	NEW RELEASE	2007.05.16	X.XX±0.15
REV.	DESCRIPTION	DATE	X.XXX±0.05
			ANGLE±
DRAW NO. :			REV.
A0505H-XP			A1