

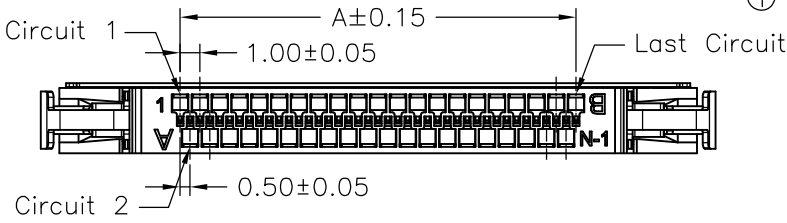
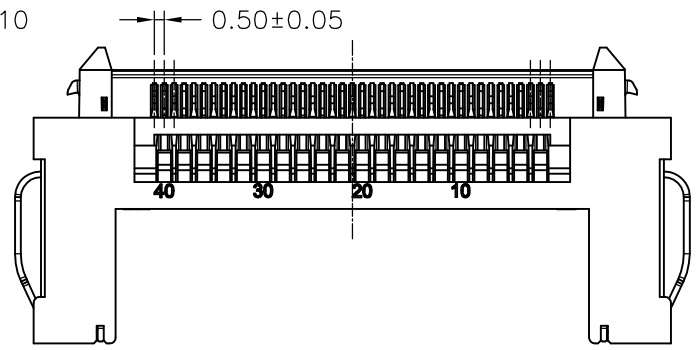
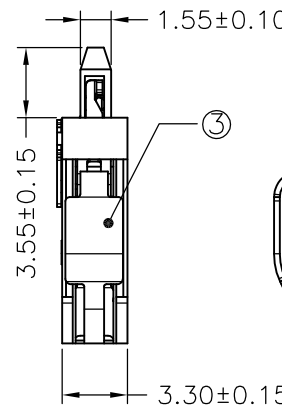
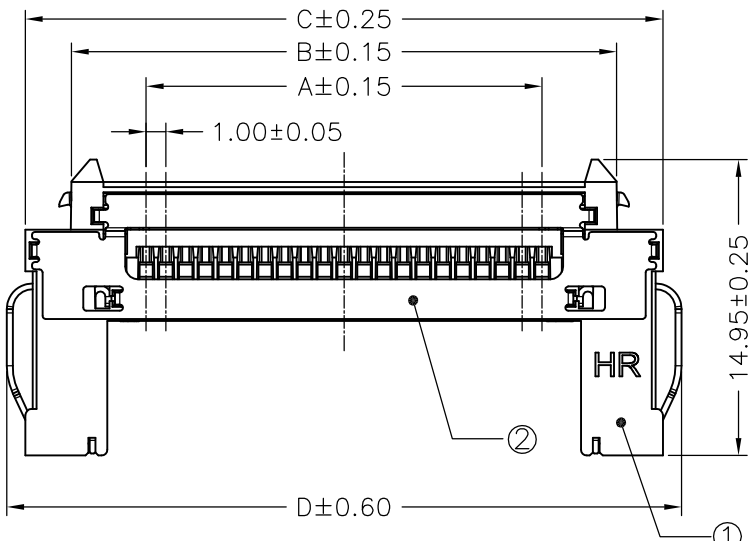
Ordering code

A0505 H-XP

① ② ③



① Series No.
② Connector type: H=Housing
③ No. of circuits

SPECIFICATIONS
 Current Rating: 0.7A AC,DC
 Voltage Rating: 100V AC,DC
 Temperature Range: -25°C ~ +85°C
 Contact Resistance: 50mΩ Max.
 Insulation Resistance: 100MΩ Min.
 Withstanding Voltage: 500V AC/minute



Circuit No.	Dimensions			
	A	B	C	D
21P	10.00	17.54	22.20	24.34
31P	15.00	22.54	27.20	29.34
41P	20.00	27.54	32.20	34.34
51P	25.00	32.54	37.20	39.34

No.	Description	Material	Color
1	Insulator	Nylon 46,UL94V-0	Natural(Black)
2	Ground plate	Stainless	---
3	Lock lever	Stainless	---

 燦達電子工業股份有限公司 JOINT TECH ELECTRONIC IND. CO., LTD.			
UNIT	SCALE	SHEET	TITLE:
mm		1 of 1	0.50mm PITCH HOUSING-LOCK TYPE
DRAWN BY 李勤 2007.05.16		APPROVED BY 謝瑞清 2007.05.16	
A2	ECN0912240629	2009.12.24	GENERAL TOLERANCE
A1	REVISE	2007.12.04	X. X±0.25
A0	NEW RELEASE	2007.05.16	X. XX±0.15
REV.	DESCRIPTION	DATE	X. XXX±0.05
			
DRAW NO. : A0505H-XP			REV. A2